

**Objective**

Presenting an incredibly durable exterior within a verified IP 44 rating, indicating the discussion of a predominantly ornamental ceiling light that possesses all the attributes for ceiling integration. The design exudes elegance through its uncomplicated yet stunning aesthetic, highlighted by its distinct cylindrical shape. The finish, meticulously crafted for excellence in every aspect, attests to its high quality.

**Obiettivo**

Presentando un'esterno incredibilmente resistente all'interno di una valutazione IP 44 verificata, che indica la discussione di una lampada da soffitto principalmente ornamentale che possiede tutti gli attributi per l'integrazione nel soffitto. Il design emana eleganza attraverso la sua estetica semplice ma sbalorditiva, messa in risalto dalla sua distintiva forma cilindrica. La finitura, realizzata con meticolosità per l'eccellenza in ogni aspetto, attesta la sua alta qualità.

**Description**

**Housing** - Die cast aluminium powder coated with choice of RAL colors

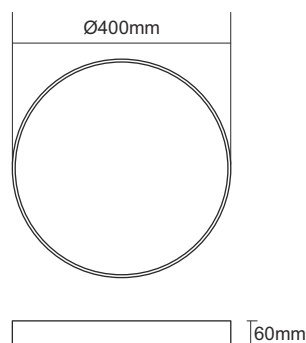
**Diffuser** - Opal PMMA anti yellowing diffuser V2 Resistant.

**LED** - reducing energy consumption with L80/B10/F10 50,000 hrs lifetime.

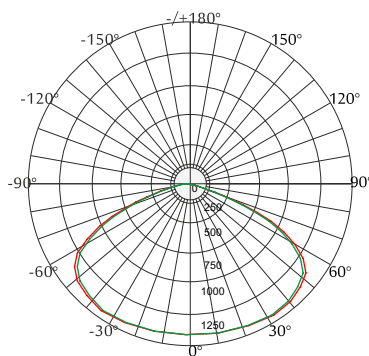
**Standards** - manufactured in accordance with tested as per PTPS IEC 62722

**Colors** - White.

CODE	WATTAGE	LUMEN	SIZE mm
5594536	36W	3960lm	Ø400 X 60H



LED	ENERGY STAR	ECO	
65°C	Glowing Wire		
-20°C	Test - 850°		
IP 44	IK 06	UGR <19	SDCM 2.0/3.0
CIDET	EAC	COMPLIANCE	LM-79 TM-21 (lm-80)
PASEL ACCREDITATION	SMD	CRI >90	
RoHS	SELV	F	series wiring
CE	COMPLIANCE		U
<b>A++</b>	85~265V	50/60Hz	



120°

3000K  
4000K  
6000K

LED Drivers - PHILIPS GTI | MWM | GTCI TRIDONIC | LED Chips - BRIDGELUX | CREE | SHARP | SAMSUNG | PHILIPS | CITIZEN

In a continuing effort to offer the best product possible, we reserve the right to change, without notice, specifications or materials that in our opinion will not alter the function of the product. Specification sheets found at [www.romaluce.it](http://www.romaluce.it) are the most recent versions and supercede all other printed or electronic versions.