

Objective

Porcellana range of products is thought to provide a luminaire series with high quality and very professional design signature. The feature of this item is its emitted light, which is coming both from the centre and from the around corners, providing as focus beam characterized by high efficiency lumen output, as surround marker effect. The aluminium body and heat sink ensure high performance in a matter of quality, safety, and durability. Practical, versatile, suitable to be used in a wealth of applications thanks to its unrivalled design flexibility, it is particularly indicated to illuminate shop windows and retail spaces, private home rooms or hotel rooms.

Obiettivo

La gamma di prodotti porcellana è pensata per dare vita ad una serie di luminarie firmate da alta qualità e dal design professionale. La peculiarità di questo articolo è data dalla luce emessa, che proviene sia dal centro che dalla corona che lo circonda, dando tanto un angolo di luce focalizzato caratterizzato dall'alta efficienza in lumen, tanto un effetto di marcatura attorno. Il corpo ed il dissipatore in alluminio assicurano ottime performance in termini di qualità, sicurezza e durevolezza. Pratico, versatile, adatto per una moltitudine di impieghi grazie alla sua flessibilità di design senza rivali, è particolarmente indicato per illuminare le vetrine dei negozi e gli spazi commerciali, le stanze di una casa privata o di un albergo.

Description

Housing - Die cast aluminium powder coated with choice of RAL or anodized colors

Diffuser - Clear tempered glass.

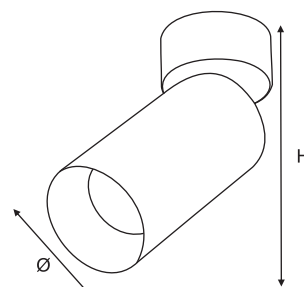
Reflector - Anodized aluminum reflector.

LED - reducing energy consumption with L80/B10/F10 50,000 hrs lifetime.

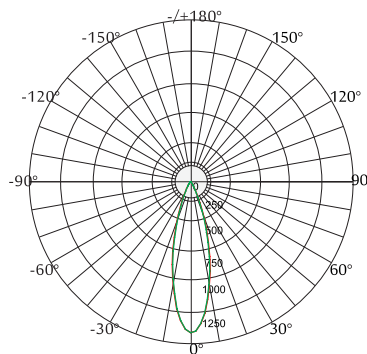
Standards - manufactured in accordance with tested as per PTPS IEC 62722

Fixture cover plate anodized plating with choice of colors

CODE	WATTAGE	LUMEN	SIZE mm
5582108	8W	630lm	Ø75 X 160H



LED	ENERGY STAR	ECO
55°C	Glowing Wire	
-25°C	Test - 850°	
IP 40	IK 07	UGR <19
		SDCM 2.0/3.0
CIDET	EAC	COMPLIANCE
		LM-79 TM-21 (lm-80)
PASEL ACCREDITATION	SMD	CRI >90
		series wiring
ROHS	SELV	F
		series wiring
CE	COMPLIANCE	U
A++	85-265V	50/60Hz



3000K
4000K
6000K



LED Drivers - PHILIPS GTCI TRIDONIC LED Chips - BRIDGELUX CREE SHARP SAMSUNG PHILIPS CITIZEN

In a continuing effort to offer the best product possible, we reserve the right to change, without notice, specifications or materials that in our opinion will not alter the function of the product. Specification sheets found at www.romaluce.it are the most recent versions and supercede all other printed or electronic versions.