

**Objective**

The item has the classic design of a bollard light, available with little differences in the top shape to satisfy the details lovers. The light source is an LED high efficiency system, which ensures high performances while saving energy. All the items have features like easy installation, very low maintenance needs and full safety for electrical systems and people.

**Obiettivo**

L'articolo ha il design classico di un paletto luminoso, disponibile con piccole differenze nella forma superiore per soddisfare gli amanti dei dettagli. La sorgente luminosa è un sistema LED ad alta efficienza, che garantisce elevate prestazioni risparmiando energia. Tutti gli articoli hanno caratteristiche come facilità di installazione, esigenze di manutenzione molto basse e piena sicurezza per gli impianti elettrici e le persone.

**Description**

**Housing** - Die cast aluminium powder coated with choice of RAL colors.

**Diffuser** - Clear polycarbonate anti UV diffuser.

**Reflector** - Anodized Polished specular aluminum reflector.

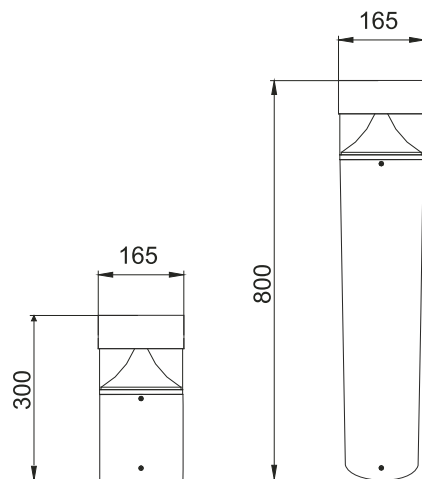
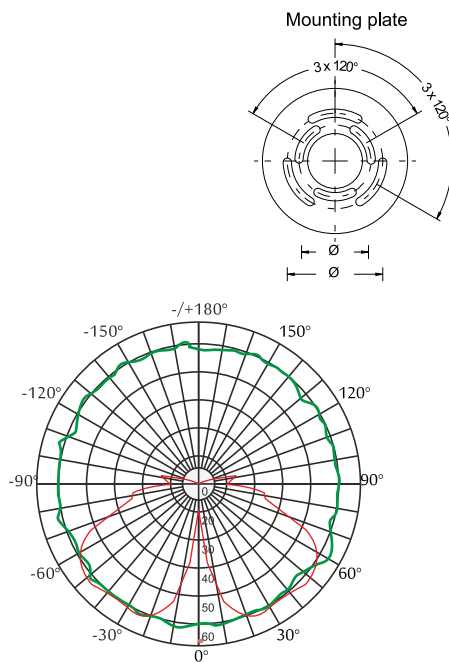
**LED** - reducing energy consumption with L80/B10/F10 50,000 hrs lifetime.

**Standards** - manufactured in accordance with tested as per PTPS IEC 62722

CODE	WATTAGE	LUMEN	SIZE mm
1330606	6W	660lm	Ø165 X 300 H
1330608	8W	880lm	Ø165 X 800 H
1330615	15W	1500lm	Ø165 X 800 H



LED	ENERGY STAR	ECO
PHASE DIMMING	DALI	1-10 DIMMING
65°C	Glowing Wire Test - 850°	-20°C
IP 65	IK 08	UGR <22
IP 65	IK 08	SDCM 2.0/3.0
CIDET	EAC	COMPLIANCE LM-79 TM-21 (lm-80)
PASEL ACCREDITATION	SMD	CRI >90
RoHS	SELV	series wiring
CE	COMPLIANCE	U
A++	220-265V	50/60Hz



2700K  
3000K  
4000K  
5000K  
6000K  
6500K

360°

LED Drivers - PHILIPS GTCI MEXAN XELLA GTCI TRIDONIC LED Chips - BRIDGELUX CREE SHARP SAMSUNG PHILIPS CITIZEN

In a continuing effort to offer the best product possible, we reserve the right to change, without notice, specifications or materials that in our opinion will not alter the function of the product. Specification sheets found at www.romaluce.it are the most recent versions and supercede all other printed or electronic versions.