

**Objective**

Suitable for installation (which is very simple to do ) in false ceiling, with the body in die cast aluminium which gives to the product that look of tough and professional at the same time, the luminaire is pure efficiency. The high quality Led system ensures an elevated luminous flux while paying attention to environment: the energy saving with this product is up to 90% if compared with the old halogen. The high definition optics, meticulously studied and made of metallised highly resistant thermoplastic material, and the integrated black anti-glare screen are the warranty of a really professional light effect: pure, uniform and highly visual comfortable.

**Obiettivo**

Un pratico e versatile faretto da incasso alimentato da una potente sorgente LED. Lo speciale sistema cardanico nel design della luminaria, concedendo movimenti molto dolci, dà flessibilità alla direzione della luce in uscita. L'opzionale anello nello dà un tocco esclusivo al design dell'articolo. Appositamente disegnato per negozi di vendita al dettaglio, centri commerciali e gioiellerie, è ideale per i soffitti angolari, le applicazioni su facciata interna, funzioni di evidenziazione (luce d'accento).

**Description**

**Housing** - Die cast aluminium with PVC coated with option of black or white powder coated trim fixture choice of RAL colors

**Diffuser** - Special PMMA optical high defination lens.

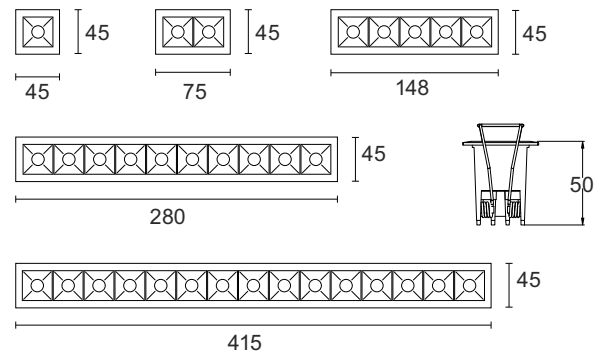
**Reflector** - Anodized black or white low glare aluminium reflector.

**LED** - reducing energy consumption with L80/B10/F10 50,000 hrs lifetime.

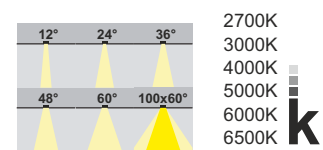
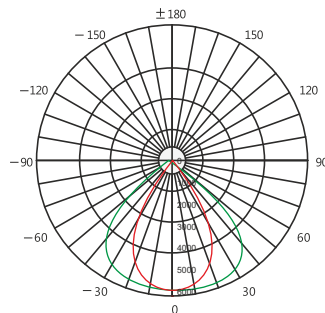
**Standards** - manufactured in accordance with tested as per PTPS IEC 62722, EN 60598-1

**Color** - White, Black, Silver, Gold

CODE	LED's	WATTAGE	LUMEN	SIZE mm	Ø	
6094902	1	2W	240lm	45 x 45 x 50 H	35 x 35	☼
6094904	2	4W	480lm	45 x 75 x 50 H	35 x 65	☼☼
6094910	5	10W	1200lm	45 x 148 x 50 H	35 x 137	☼☼☼☼☼
6094920	10	20W	2400lm	45 x 280 x 50 H	35 x 270	☼☼☼☼☼☼☼☼☼☼
6094930	15	30W	3600lm	45 x 415 x 50 H	35 x 405	



GROUP DIMMING	LED	ENERGY STAR	
PHASE DIMMING	DALI	1-10 DIMMING	
55°C	Glowing Wire Test - 850°		
-25°C	IP 54	ECO	UGR <19
			SDCM 2.0/3.0
CIDET	EAC	COMPLIANCE LM-79 TM-21 (lm-80)	
PASEL ACCREDITATION	COB	CRI >90	
ROHS	SELV	F	series wiring
CE	COMPLIANCE	U	
<b>A++</b>	85-265V 50/60Hz		



LED Drivers - PHILIPS **GTI** **MEAN WELL** **GTCI TRIDONIC** LED Chips - BRIDGELUX **CREE** **SHARP** **SAMSUNG** **PHILIPS** **CITIZEN**

In a continuing effort to offer the best product possible, we reserve the right to change, without notice, specifications or materials that has recent technology will not alter the function of the product. Specification sheets found at [www.romaluce.it](http://www.romaluce.it) are the most recent versions and supercede all other printed or electronic versions.