

Objective

These handrail LED lighting fixtures also provide an asymmetric beam which creates a beautiful ambiance and enhances the environment. These fixtures are versatile which can add a visual impact and also plays a critical role in safety apart from lighting. Application of this light fixture can be in handrails, step lighting, lobbies, swimming pool, stadiums & walkways. Whether you need asymmetric or symmetric lighting distribution, our handrail fixtures are perfect for both exterior and interior applications.

Obiettivo

Questi apparecchi di illuminazione a LED per corrimano forniscono anche un fascio asimmetrico che crea una bella atmosfera e migliora l'ambiente. Questi dispositivi sono versatili e possono aggiungere un impatto visivo e svolgono anche un ruolo fondamentale nella sicurezza oltre all'illuminazione. L'applicazione di questa lampada può essere in corrimano, illuminazione di gradini, atri, piscine, stadi e passerelle. Sia che tu abbia bisogno di una distribuzione dell'illuminazione asimmetrica o simmetrica, i nostri apparecchi per corrimano sono perfetti sia per applicazioni esterne che interne.

Description

Housing - Stainless steel and aluminum with choice of RAL colors.

Diffuser - PMMA optical lens.

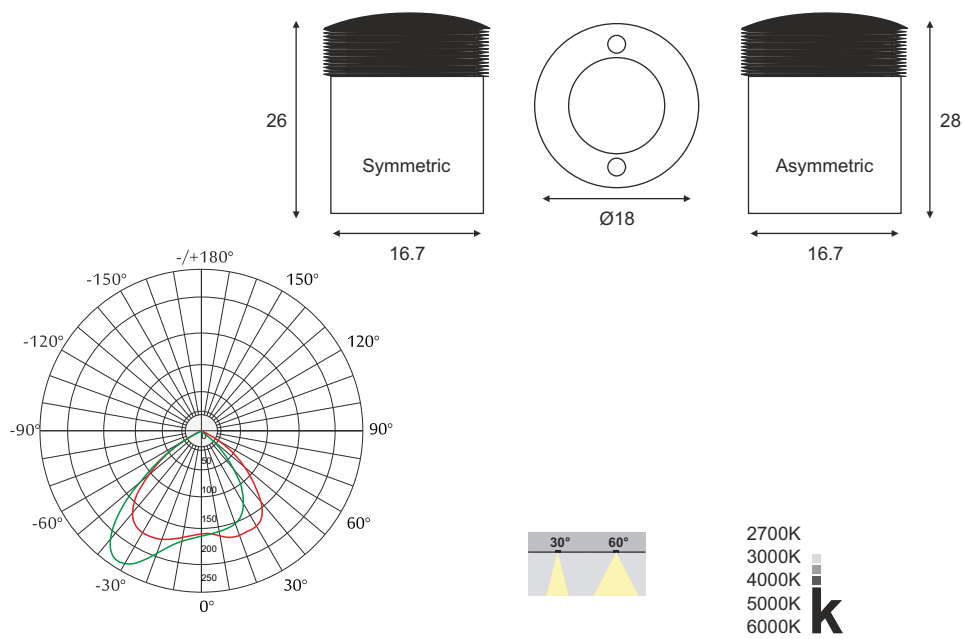
LED - reducing energy consumption with L80/B10/F10 50,000 hrs lifetime.

Standards - manufactured in accordance with tested as per PTPS IEC 62722.

CODE	WATTAGE	LUMEN	SIZE mm	
2250001	1W	100lm	Ø18 X 26 / 28H	☼
2250002	2W	200lm	Ø18 X 26 / 28H	☼
2250003	3W	300lm	Ø18 X 26 / 28H	☼



LED	ENERGY STAR	ECO	Different length
PHASE DIMMING	DALI	1-10 DIMMING	GROUP DIMMING
IP 67	IK 07	UGR <21	SDCM 2.0/3.0
CIDET	EAC	COMPLIANCE LM-79 TM-21	LM-80
PASEL ACCREDITATION	COB	CRI >90	series wiring
SELV	RoHS	CE	U
A++	DC 12V	DC 24V	



LED Drivers - PHILIPS **GTI** **MEAN WELL** **TCI TRIDONIC** | LED Chips - BRIDGELUX **CREE** **SHARP** **SAMSUNG** **PHILIPS** **CITIZEN**

In a continuing effort to offer the best product possible, we reserve the right to change, without notice, specifications or materials that in our opinion will not alter the function of the product. Specification sheets found at www.romaluce.it are the most recent versions and supercede all other printed or electronic versions.