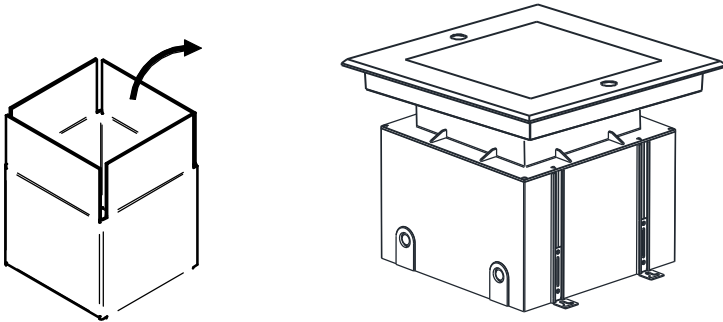
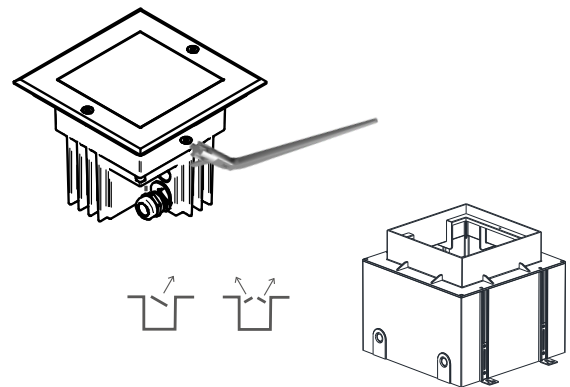


*****INSTALLATION MANUAL*******Safety tips before starting**

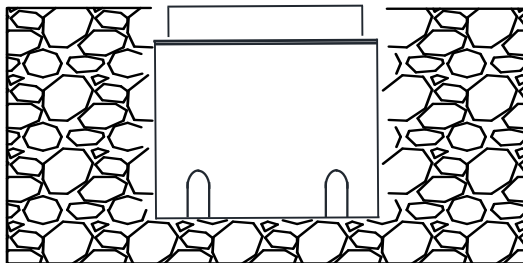
- *Let always an expert/authorized technician make the installation.
- *Before you start please shut off the power to prevent electric shock.
- *The products with energetic class II do not require the Earth / Ground connection so please do not connect the neutral if is not required. Instead, if the item is class energetic I, please do connect the neutral to Earth.
- *Consider always to leave some space for the heat sink of the led device, it need it to cool down after use
- *Do not connect any Led device without its recommended driver
- *Your individual product may vary from the design shown in the pictures
- *Do not disassemble your product
- *If any modification is made in the item or any wrong installation cause any damage to it, the warranty will be invalidated.



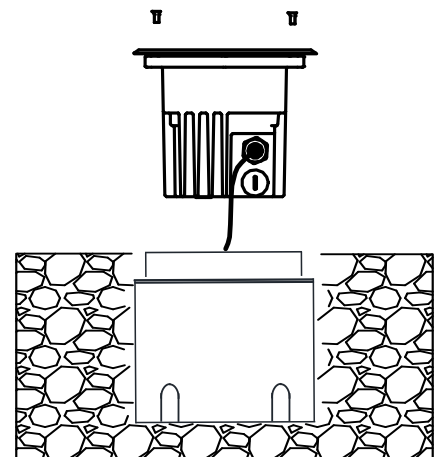
- 1** Take out the item from the PVC installation box.



- 2** Adjust the led position (adjustable models only).



- 3** Fix the pvc box into the floor / concrete.
Precaution: operate with power off and guide the AC source cable into the box.



- 4** Connect the fitting to the AC power cable and position it into the PVC box. Lock the screws to secure the item's position

Thanks for your purchase !