

Objective

Amazing high resistance body in a tested IP 65 or even which means we are specking about a ceiling light, mainly decorative, with all the characteristics to be fixed outside, in the balcony, for instance. IP 65 means the item is highly resistant to hard meteorological conditions and highly humid weather. The design is very simple and beautiful with special feature of emergency kit available in both parallelepiped and cylindrical shape. The finish is high quality and thought to be perfect in every detail.

Obiettivo

Incredibile corpo ad alta resistenza in un IP 65 testato o anche il che significa che stiamo specchiando su una plafoniera, principalmente decorativa, con tutte le caratteristiche da fissare all'esterno, nel balcone, ad esempio. IP 65 significa che l'articolo è altamente resistente alle difficili condizioni meteorologiche e al clima molto umido. Il design è molto semplice e bello con funzionalità speciali di kit di emergenza disponibili in forma parallelepipeda e cilindrica. La finitura è di alta qualità e pensata per essere perfetta in ogni dettaglio.

Description

Housing - Die cast aluminium powder coated with choice of RAL colors

Diffuser - Opal PMMA anti yellowing diffuser V2 Resistant.

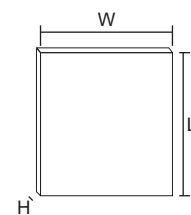
LED - reducing energy consumption with L80/B10/F10 50,000 hrs lifetime.

Standards - manufactured in accordance with tested as per PTPS IEC 62722

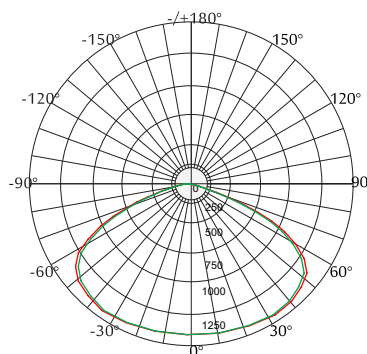
Colors - White, Black.

Accessories - Emergency Kit for 3 Hours backup upon request.

CODE	WATTAGE	LUMEN	SIZE mm
5581525	25W	3000lm	240 X 240 X 45H
5581530	30W	3600lm	300 X 300 X 50H



LED	ENERGY STAR	ECO	
65°C	Glowing Wire		
-20°C	Test - 850°		
IP 65	IK 09	UGR <19	SDCM 2.0/3.0
CIDET	EAC	COMPLIANCE	LM-78 TM-21 (lm-80)
PASEL ACCREDITATION	SMD	CRI >90	
RoHS	SELV	F	series wiring
CE	COMPLIANCE		U
A++	85~265V	50/60Hz	



3000K
4000K
6000K

LED Drivers - PHILIPS **GTI** **MEAN WELL** **ATCI TRIDONIC** | LED Chips - BRIDGELUX **CREE** **SHARP** **SAMSUNG** **PHILIPS** **CITIZEN**

In a continuing effort to offer the best product possible, we reserve the right to change, without notice, specifications or materials that in our opinion will not alter the function of the product. Specification sheets found at www.romaluce.it are the most recent versions and supercede all other printed or electronic versions.