

Objective

A classic modular light characterized frameless by high power efficiency and low consumption. The result is a high lumen output with uniform and comfortable emitted light, which includes considerable energy saving. The option to choose between single, double or triple combination ensures various light directions and beam effects.

Obiettivo

Una luce modulare classica caratterizzata da alta efficienza energetica e bassi consumi. Il risultato è un flusso luminoso elevato con luce emessa uniforme e confortevole, che include un notevole risparmio energetico. L'opzione di scegliere tra una combinazione singola, doppia o tripla garantisce varie direzioni ed effetti del raggio di luce.

Description


Housing - Die cast aluminium powder coated with choice of RAL colors

Diffuser - Tempered clear glass.







Reflector - Anodized reflector made by aluminium.

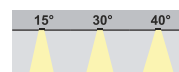
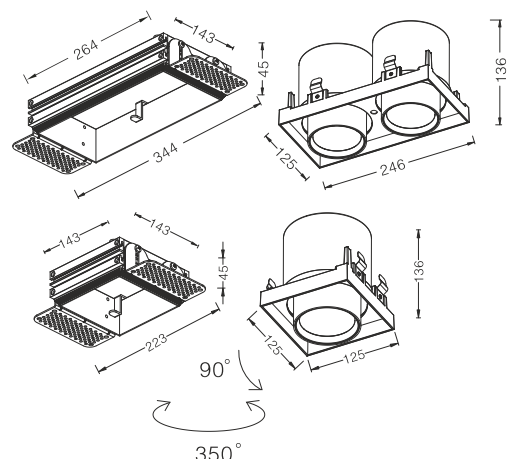
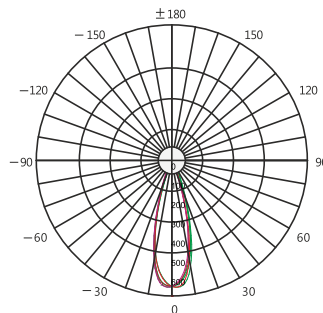
LED - reducing energy consumption with L80/B10/F10 50,000 hrs lifetime.

Standards - manufactured in accordance with tested as per PTPS IEC 62722

CODE	WATTAGE	LUMEN	SIZE mm	
53419124	24W	3120lm	125 X 125 X 136 H	125 X 125
53419132	32W	4160lm	125 X 125 X 136 H	125 X 125
53419224	2X24W	6240lm	246 X 125 X 136 H	246 X 125
53419232	2X32W	8320lm	246 X 125 X 136 H	246 X 125



FRAMELESS		
PHASE DIMMING	DALI	1-10 DIMMING
55°C	Glowing Wire Test - 850°	
-25°C		
IP 44	Adjusting	UGR <19
	EAC	SDCM 2.0/3.0
PASEL ACCREDITATION	COB	CRI >90
	SELV	series wiring
CE		
A++	85~265V 50/60Hz	



- 2700K
- 3000K
- 4000K
- 5000K
- 6000K
- 6500K



LED Drivers - PHILIPS    TRIDONIC | LED Chips - BRIDGELUX    PHILIPS 

In a continuing effort to offer the best product possible, we reserve the right to change, without notice, specifications or materials that in our opinion will not alter the function of the product. Specification sheets found at www.romaluce.it are the most recent versions and supercede all other printed or electronic versions.