

Objective

High resistance raw materials to provide a weatherproof item, powder coated aluminium housing with adjustable mounting base, ground mounting stake, and glare shield. The light source is a highly efficient LED system, which provides high performances paying attention to consumptions. The result is a stylish item with "green" character thanks to the considerable energy saving with it possible.

Obiettivo

Materie prime ad alta resistenza per fornire un articolo resistente alle intemperie, alloggiamento in alluminio verniciato a polvere con base di montaggio regolabile, supporto da terra e schermo antiabbagliamento. La sorgente luminosa è un sistema LED altamente efficiente, che procura alte prestazioni prestando attenzione ai consumi. Il risultato è un oggetto elegante con un carattere "green" grazie al notevole risparmio energetico possibile.

Description

Housing - Made of dia cast aluminum powder coated with choice of RAL color.

Diffuser - Tempered clear glass diffuser specially for LED.

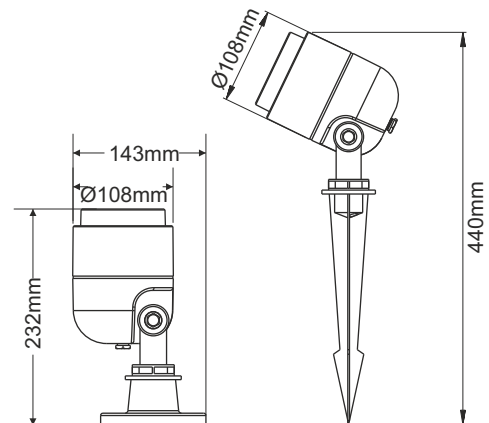
Reflector - Anodized aluminium reflector.

LED - reducing energy consumption with L80/B10/F10 50,000 hrs lifetime.

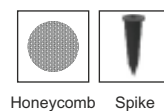
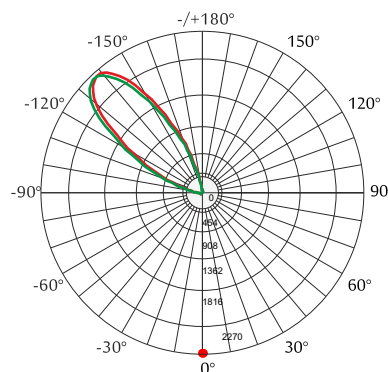
Standards - manufactured in accordance with EN 60598-1 and 60598-2-1

Accessories - Honeycomb, spike, mounting kit

CODE	WATTAGE	LUMEN	SIZE mm
2140812	12W	1320lm	Ø108 X 232 ~ 440H
2140815	15W	1650lm	Ø108 X 232 ~ 440H



LED	ENERGY STAR	ECO	
65°C	Glowing Wire		
-20°C	Test - 850°		
IP 66	IK 08	UGR <21	SDCM 2.0/3.0
CIDET	EAC	COMPLIANCE	LM-78 TM-21 LM-80
PASEL	COB	CRI >90	
RoHS	SELV	F	series wiring
CE	COMPLIANCE	U	
A++	85~265V	50/60Hz	



- 2700K
- 3000K
- 4000K
- 5000K
- 6000K
- 6500K

LED Drivers - PHILIPS GTI, MWM, GTCI TRIDONIC, LED Chips - BRIDGELUX, CREE, SHARP, SAMSUNG, PHILIPS, CITIZEN

In a continuing effort to offer the best product possible, we reserve the right to change, without notice, specifications or materials that in our opinion will alter the function of the product. Specification sheets found at www.romaluce.it are the most recent versions and supercede all other printed or electronic versions.