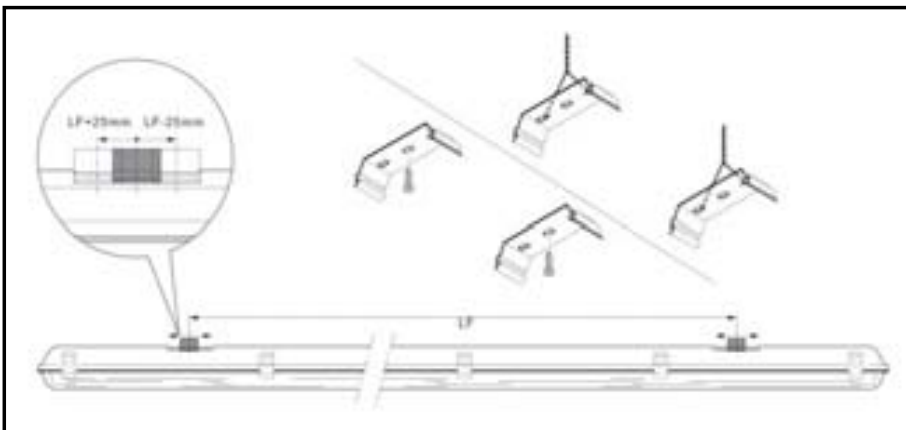




INSTALLATION MANUAL

Safety tips before starting

- *Let always an expert/authorized technician make the installation.
- *Before you start please shut off the power to prevent electric shock.
- *The products with energetic class II do not require the Earth / Ground connection so please do not connect the neutral if is not required. Instead, if the item is class energetic I, please do connect the neutral to Earth.
- *Consider always to leave some space for the heat sink of the led device, it need it to cool down after use
- *Do not connect any Led device without its recommended driver
- *Your individual product may vary from the design shown in the pictures
- *Do not disassemble your product
- *If any modification is made in the item or any wrong installation cause any damage to it, the warranty will be invalidated.

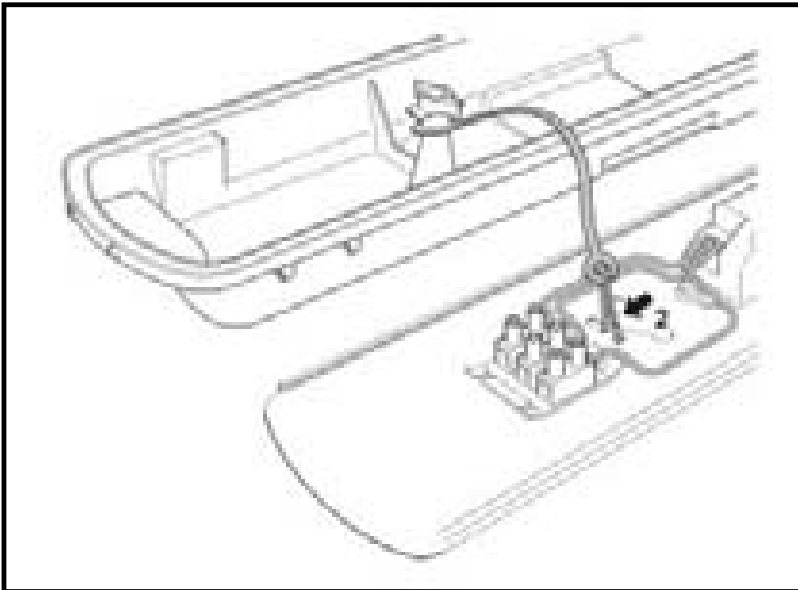


1. Isolate mains power near location so as not to cause electrical hazard. Select desired location to mount LED Weatherproof Batten. Measure and mount included mounting clips to the desired surface.

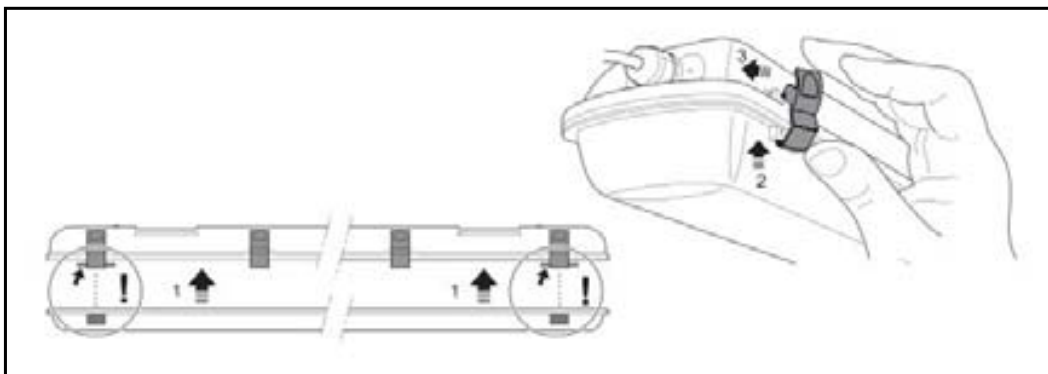
Thanks for your purchase !



INSTALLATION MANUAL



2. Open luminaire by releasing the clips holding the diffuser and remove gear-tray ensuring lanyard is still connected between gear tray and luminaire body. Connect the driver input wires with the main AC.



3. Position the diffuser and secure using the clips provided.

Thanks for your purchase !