

Objective

A resistant die cast aluminium housing prevents the corrosion, the possible rust, and the damages caused from hard weather conditions and the LEDs are protected by an impact-proof tempered glass lens. Thanks to the advanced technology LEDs mounted, the product is highly efficient (great performances and energy saving) and it needs very low maintenance in its long working lifespan: this light replaces metal-halide (MH) lights with comparable output and lasts 5 times longer. Easy installation.

Obiettivo

Una custodia in alluminio pressofuso resistente evita la corrosione, l'eventuale ruggine e i danni causati da condizioni meteorologiche avverse e i LED sono protetti da una lente in vetro temperato resistente agli urti. Grazie ai LED a tecnologia avanzata montati, il prodotto è altamente efficiente (ottime prestazioni e risparmio energetico) e richiede una manutenzione molto bassa nella sua lunga durata di vita: questa lampada sostituisce le lampade a ioduri metallici (MH) con output comparabili e dura 5 volte di più. Installazione facile.

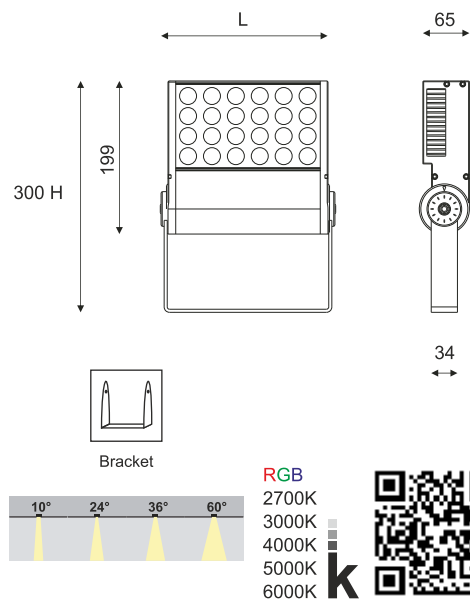
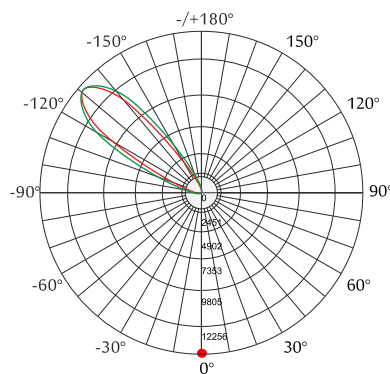
Description

- Housing** - Made of die cast aluminum powder coated with choice of RAL colors. High corrosion aluminium body with stainless steel screw in addition with rubber silicon gasket.
- Diffuser** - Tempered clear glass diffuser specially for LED
- Reflector** - Optical glass lens with black louver for UGR maintain.
- LED** - reducing energy consumption with L80/B10/F10 50,000 hrs lifetime.
- Standards** - manufactured in accordance with EN 60598-1 and 60598-2-1
- Accessories** - Mounting bracket, RGB version supplied with built in decoder.

CODE	WATTAGE	LUMEN	SIZE mm
2143630	30W	3450lm	210 X 65 X 300H
2143648	48W	5520lm	210 X 65 X 300H
2143660	60W	6900lm	318 X 65 X 300H
2143672	72W	8280lm	318 X 65 X 300H
2143690	90W	10350lm	390 X 65 X 300H
21436108	108W	12420lm	390 X 65 X 300H



LED	ENERGY STAR	ECO	IP66
PHASE DIMMING	DALI	1-10 DIMMING	IK 09
65°C	Glowing Wire Test - 850°		
-20°C	IP 66	IK 09	UGR <21
			SDCM 2.0/3.0
	CE	COMPLIANCE	LM-79 TM-21
			LM-80
PASEL ACCREDITATION	SMD	CRI >90	series wiring
ROHS	SELV	F	
CE	COMPLIANCE	U	
A++	DC 24V	85-265V	50/60Hz



LED Drivers - PHILIPS GTI | LED Chips - BRIDGELUX, CREE, SHARP, SAMSUNG, PHILIPS, CITIZEN

In a continuing effort to offer the best product possible, we reserve the right to change, without notice, specifications or materials that in our opinion will not alter the function of the product. Specification sheets found at www.romaluce.it are the most recent versions and supercede all other printed or electronic versions.