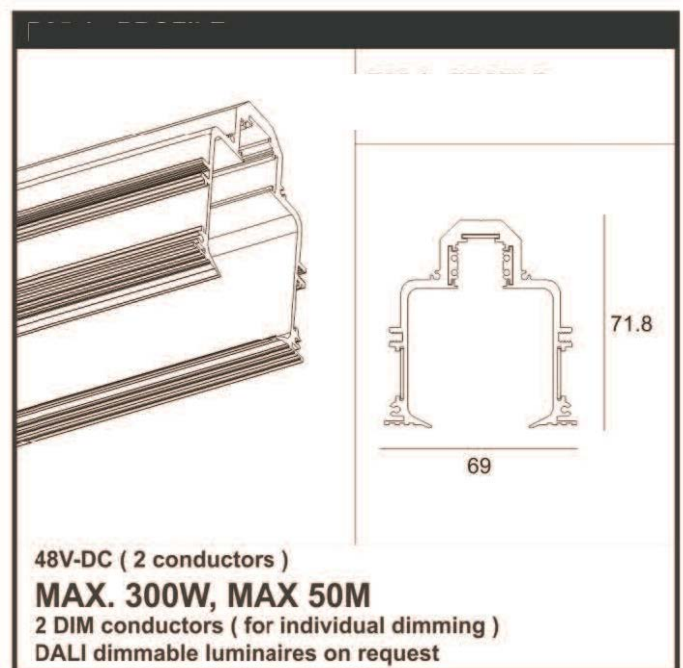
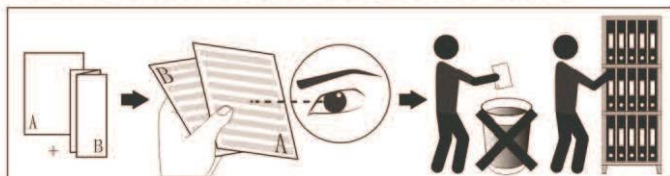


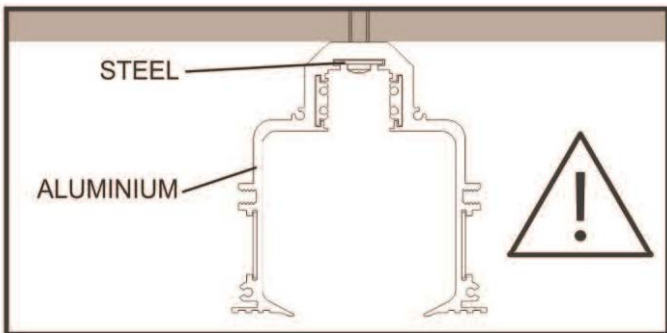
*****INSTALLATION MANUAL*****

Safety tips before starting

- *Let always an expert/authorized technician make the installation.
- *Before you start please shut off the power to prevent electric shock.
- *The products with energetic class II do not require the Earth / Ground connection so please do not connect the neutral if is not required. Instead, if the item is class energetic I, please do connect the neutral to Earth.
- *Consider always to leave some space for the heat sink of the led device, it need it to cool down after use
- *Do not connect any Led device without its recommended driver
- *Your individual product may vary from the design shown in the pictures
- *Do not disassemble your product
- *If any modification is made in the item or any wrong installation cause any damage to it, the warranty will be invalidated.

Please read carefully to avoid mistakes.





TRACK CUTTING TOOL

TRACK CUTTING TOOL

USE AFTER EVERY SAW CUT OF THE ALUMINIUM PROFILE

1

5mm

90°

5mm

4X

90°

ACCESSORY SET

M4x4 8PCS **2X**

Use the track cutting tool after every saw cut of the aluminium profile

B 8 PCS

A



CORNER SET 90°

CORNER SET 90°

ACCESSORY SET
M4x4 8PCS **4X**

⚠ Use the track cutting tool after every saw cut of the aluminium profile

1

2

CORNER SET V90°

Out corner **In corner**

CORNER SET 90°

ACCESSORY SET
M4x4 16PCS **4X**

⚠ Use the track cutting tool after every saw cut of the aluminium profile

1 **Out corner** **In corner**

2

16 PCS

Out corner

In corner

16 PCS

- FIXATION SET

FIXATION SET ACCESSORY SET
2x / 1000mm

MAX 1000mm MAX 1000mm

FIXATION

POSITION FOR INSTALLATION

MIN 240

115

35

72

72 x (L + 5) x 115

MAX. 25

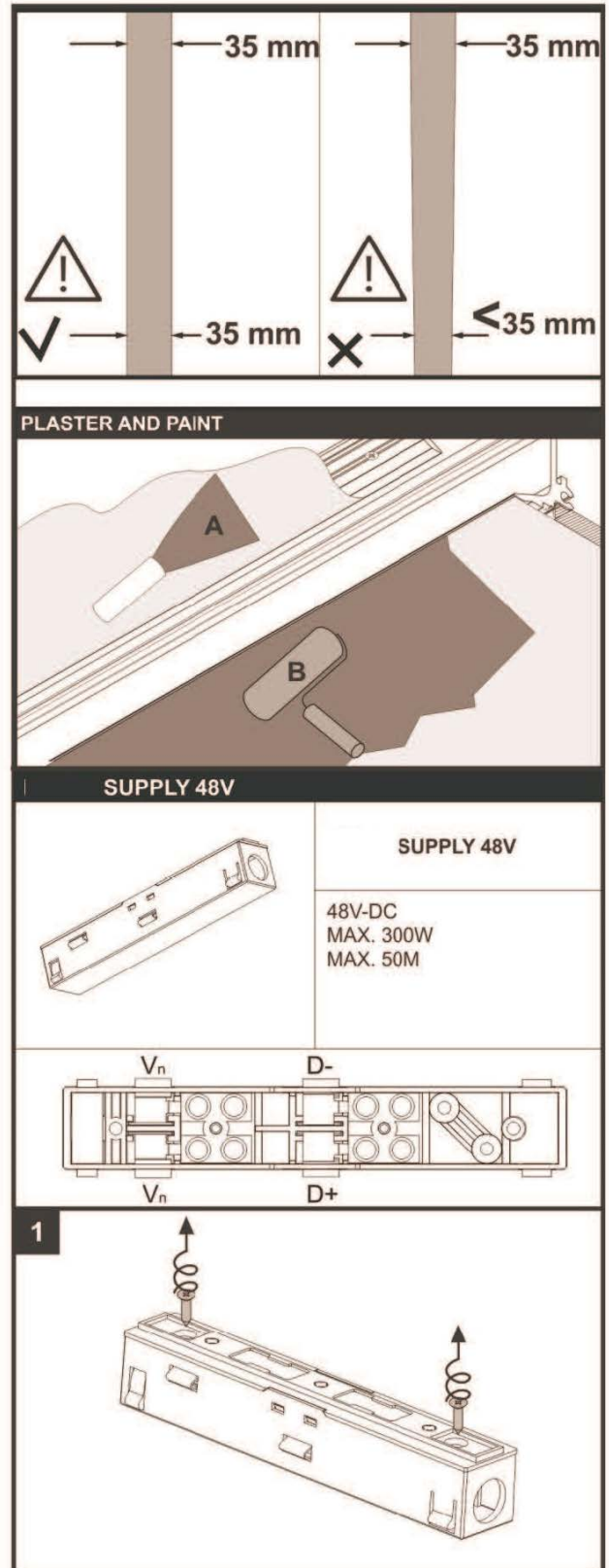
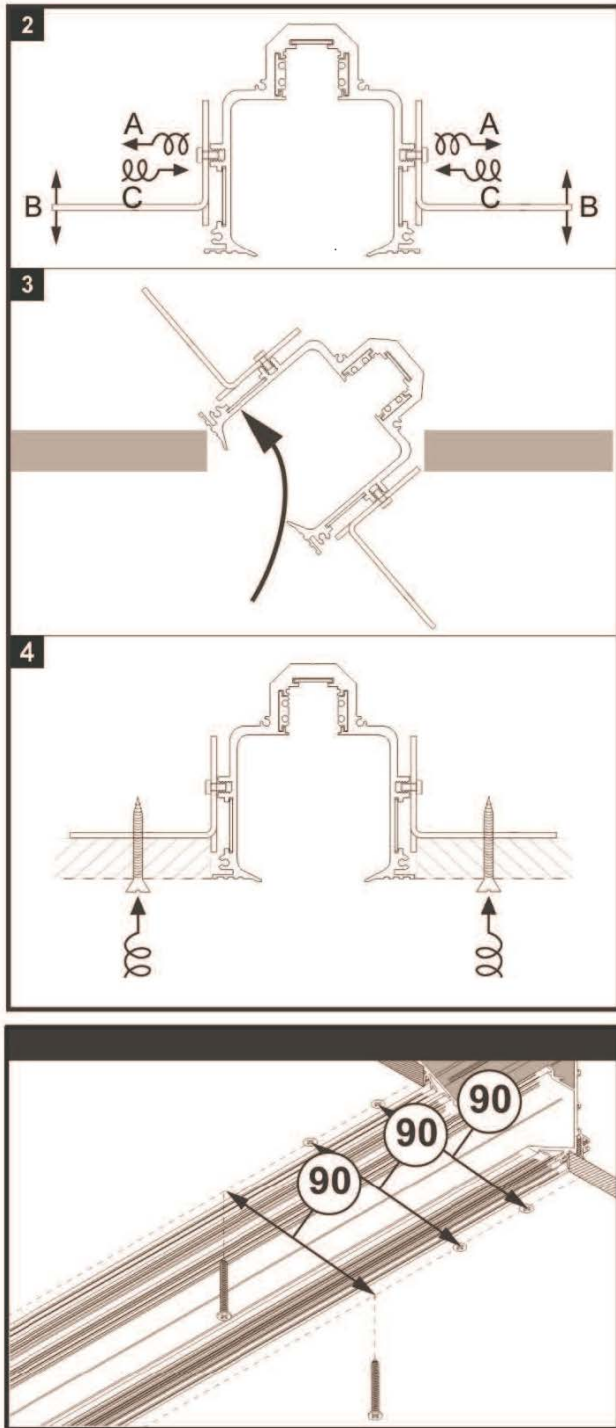
MIN. 8

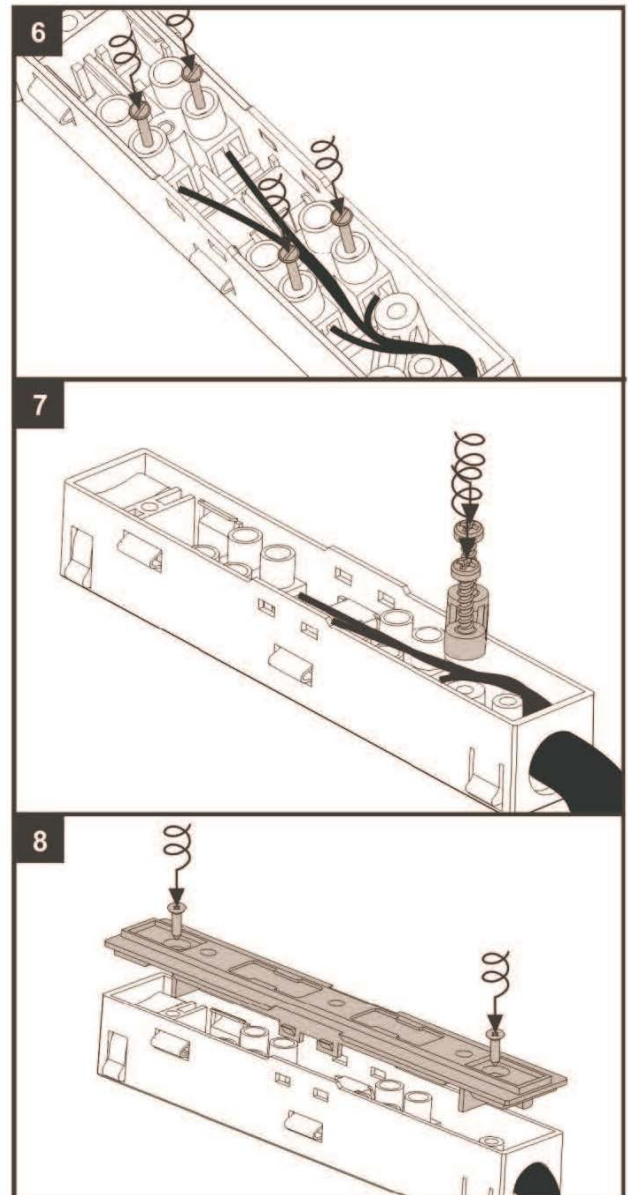
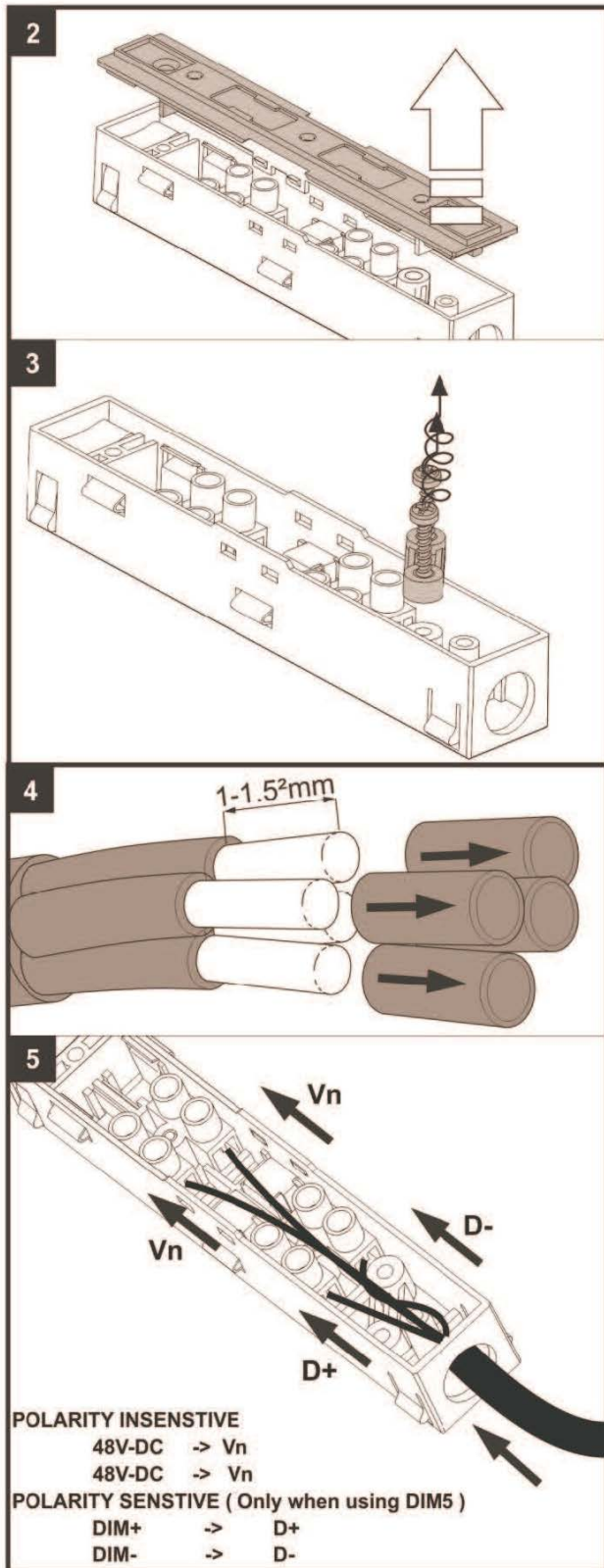
1

72 x (L + 5) x 115 mm

L + 5



72

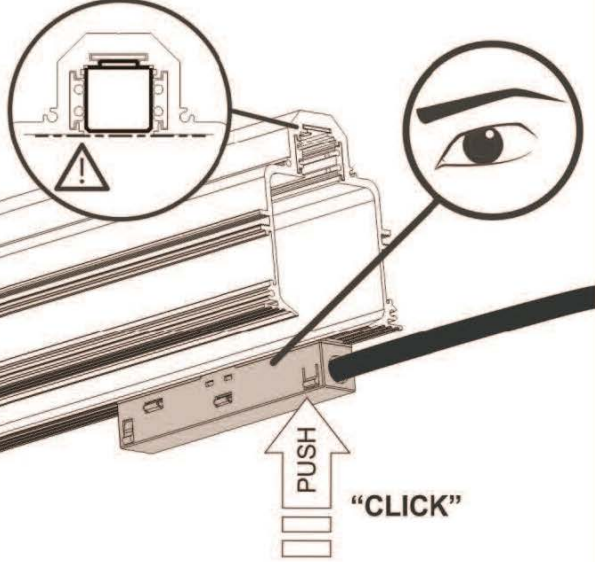




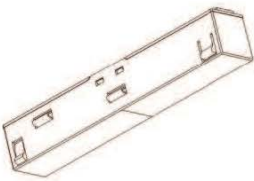


9


 Turn off the switch before installation 



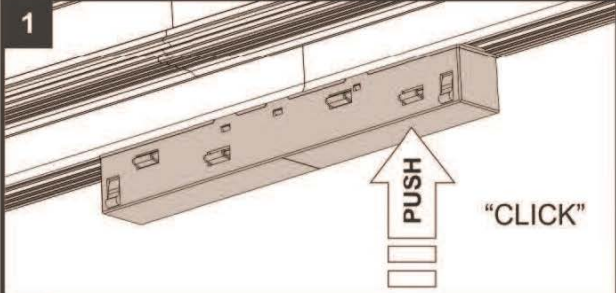
CONNECTOR 48V - 180°

 **R35-1 - CONNECTOR 48V - 180°**

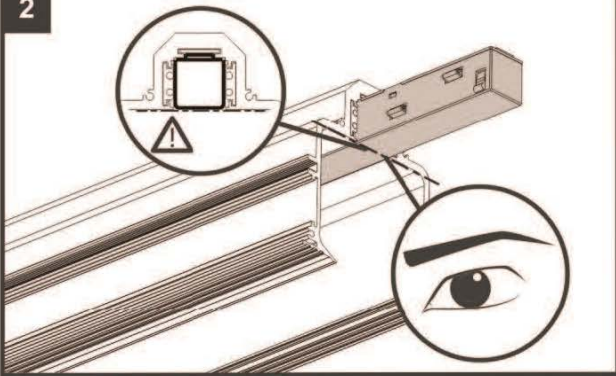
48V-DC
MAX. 300W
MAX. 50M

 **CAUTION** TO REDUCE THE RISK OF OVERHEATING AND FIRE, DO NOT BRIDGE CONDUCTORS

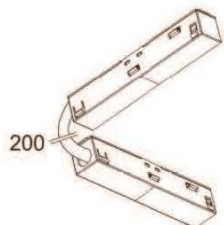
1



2




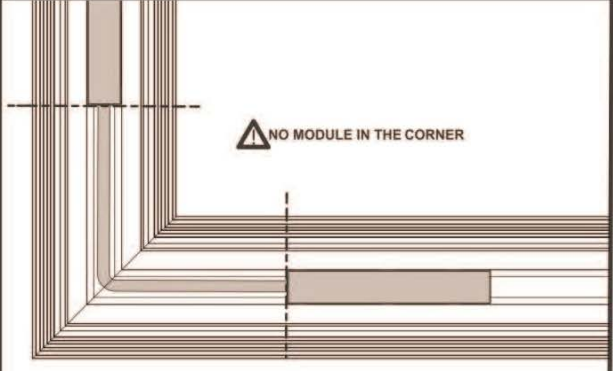
CONNECTOR 48V - 90°

 **R35-1-CONNECTOR 48V - 90°**

200

48V-DC
MAX. 300W
MAX. 50M

 **CAUTION** TO REDUCE THE RISK OF OVERHEATING AND FIRE, DO NOT BRIDGE CONDUCTORS



NO MODULE IN THE CORNER

