

Objective

Volta LED COB light is unique designed to match all the requirements of professionalism and beauty. Short heatsink suitable for all kinds of installations. Aluminium profile provides excellent thermal dissipation. Isolated driver solution both in dimmable and non-dimmable version achieves stable working performance. Application: Suitable for commercial and residential applications like office, supermarket, shop, school, hotel, restaurant, workshop, warehouse, home etc.

Obiettivo

La luce di COB di Volta LED è unica progettata per soddisfare tutte le esigenze di professionalità e bellezza. Dissipatore di calore corto adatto a tutti i tipi di installazione. Il profilo in alluminio offre un'eccellente dissipazione termica. La soluzione driver isolata sia in versione dimmerabile che non dimmerabile garantisce prestazioni di lavoro stabili. Applicazione: adatto per applicazioni commerciali e residenziali come ufficio, supermercato, negozio, scuola, hotel, ristorante, officina, magazzino, casa ecc.

Description

Housing - Die cast aluminium powder coated with choice of RAL colors

Diffuser - Tempered clear glass.

Reflector - Tiles pattern reflector made by aluminium.

LED - reducing energy consumption with L80/B10/F10 50,000 hrs lifetime.

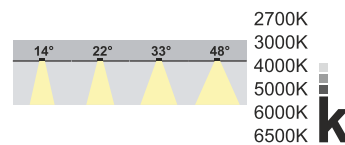
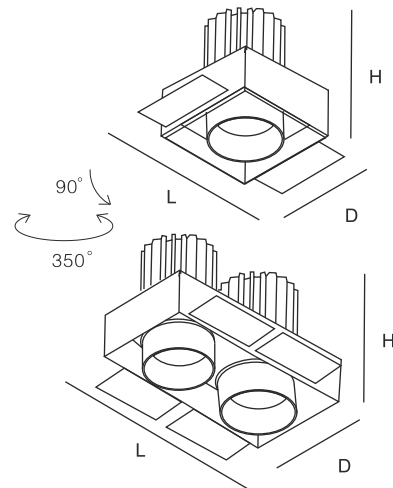
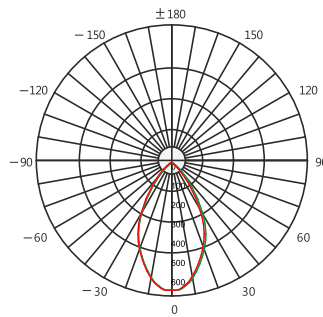
Standards - manufactured in accordance with tested as per PTPS IEC 62722

CODE	WATTAGE	LUMEN	SIZE mm	
5347013	13W	1300lm	142 X 78 X 93H	97 X92
5347025	25W	2500lm	168 X 104 X 115H	122 X 118
5347026	26W	2600lm	152 X 142 X 94H	166 X 97
5347050	50W	5000lm	201 X 168 X 115	217 X 123



FRAMELESS

- LED
- ECO
- PHASE DIMMING
- DALI
- 1-10 DIMMING
- 55°C
- 25°C
- Glowing Wire Test - 850°
- IP 44
- Adjusting
- UGR <19
- SDCM 2.0/3.0
- CIDET
- EAC
- COMPLIANCE
- LM-79 TM-21
- LM-80
- PASEL ACCREDITATION
- COB
- CRI >90
- SELV
- series wiring
- RoHS
- CE
- COMPLIANCE
- U
- A++
- 85~265V
- 50/60Hz



LED Drivers - PHILIPS TRIDONIC | LED Chips - BRIDGELUX PHILIPS Micro HumanTech

In a continuing effort to offer the best product possible, we reserve the right to change, without notice, specifications or materials that in our opinion will not alter the function of the product. Specification sheets found at www.romaluce.it are the most recent versions and supercede all other printed or electronic versions.