

Objective

The luminaire luminous flux and the luminaire connected wattage quoted in the table may change as a result of technical progress. On our website you will find data sheets with information on each luminaire concerning not only the current values but also the LED service life and the luminous flux in relation to the respective colour temperature.

Obiettivo

Il flusso luminoso dell'apparecchio e la potenza collegata dell'apparecchio citati nella tabella possono variare a seguito del progresso tecnico. Sul nostro sito Web troverete schede tecniche con informazioni su ciascun apparecchio che riguardano non solo i valori attuali, ma anche la durata del LED e il flusso luminoso in relazione alla rispettiva temperatura del colore.

Description

Housing - Pure die cast aluminum body in anodized or powder coating finishes.

Diffuser - Opal polycarbonate PMMA.

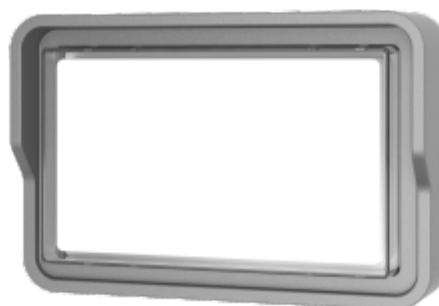
LED - reducing energy consumption with L80/B10/F10 50,000 hrs lifetime.

Standards - manufactured in accordance with tested as per PTPS IEC 62722

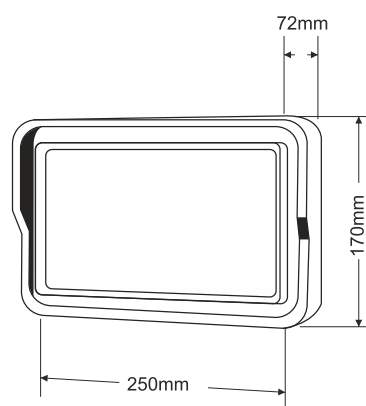
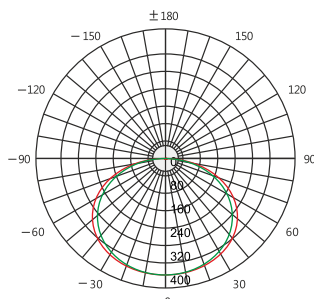
Colors - Titanium anodized, Silver anodized, Black powder coated

White powder coated.

| CODE | WATTAGE | LUMEN | SIZE mm |
|---------|---------|--------|------------------|
| 1622112 | 12W | 1440lm | 250 X 72 X 170 H |
| 1622116 | 16W | 1920lm | 250 X 72 X 170 H |



| | | |
|---------------------|--------------|---------------|
| LED | ENERGISTAR | ECO |
| 55°C | Glowing Wire | |
| -25°C | Test - 850° | |
| IP 65 | IK 08 | UGR <21 |
| | | SDCM 2.0/3.0 |
| CIDET | EAC | COMPLIANCE |
| | | LM-79 TM-21 |
| PASEL ACCREDITATION | SMD | CRI >90 |
| | | series wiring |
| RoHS | SELV | F |
| | | series wiring |
| CE | COMPLIANCE | U |
| | | |
| A++ | 185-265V | 50/60Hz |



3000K
4000K
6000K



LED Drivers - PHILIPS GTCI TRIDONIC LED Chips - BRIDGELUX CREE SHARP SAMSUNG PHILIPS CITIZEN

In a continuing effort to offer the best product possible, we reserve the right to change, without notice, specifications or materials that in our opinion will not alter the function of the product. Specification sheets found at www.romaluce.it are the most recent versions and supercede all other printed or electronic versions.