

Objective

VOLO for walkways designed to use high visual comfort LED. Ceiling and wall-recessed installation. It consists of an optical assembly with an IP66 protection rating and an outer casing or wall-mounted base to be ordered separately. The optical assembly and base are made of aluminium alloy treated with powder paint, which provides a high level of resistance to weather and UV rays. Plastic closure guard at the rear of the optical assembly. Complete with plastic cable gland and outlet cable. Luminaire with no visible screws. Rear compartment with quick-coupling opening system.

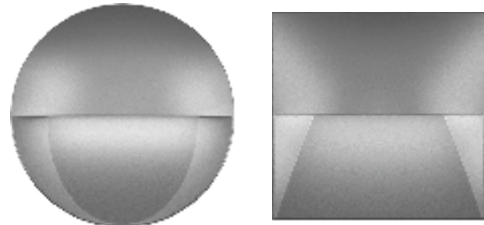
Obiettivo

VOLO per camminamenti predisposti per l'utilizzo di LED ad alto comfort visivo. Installazione a soffitto e ad incasso a parete. Si compone di un vano ottico con grado di protezione IP66 e di una controcassa o base a parete da ordinare separatamente. Il vano ottico e la base sono realizzati in lega di alluminio trattata con verniciatura a polvere, che garantisce un'elevata resistenza agli agenti atmosferici e ai raggi UV. Protezione di chiusura in plastica sul retro del vano ottico. Completo di pressacavo in plastica e cavo di uscita. Apparecchio senza viti a vista. Vano posteriore con sistema di apertura ad aggancio rapido.

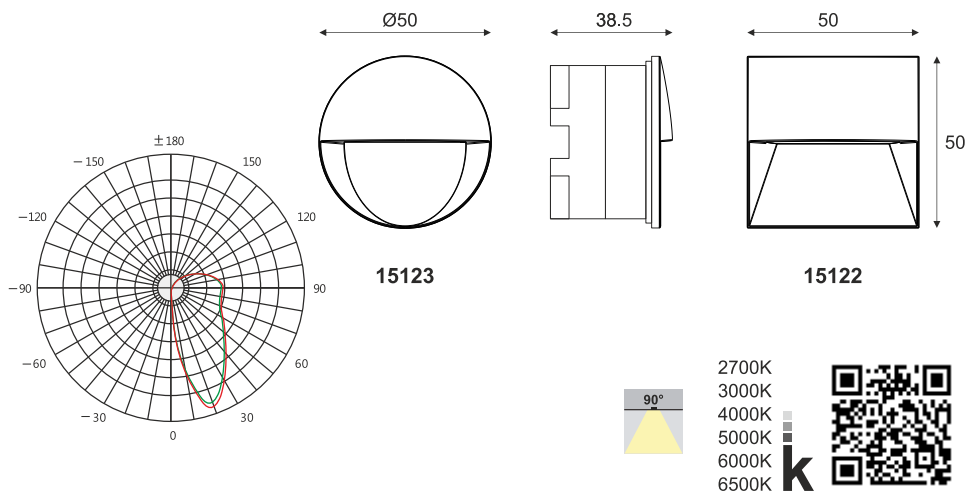
Description

- Housing** - Die cast aluminium powder coated with choice of RAL colors
- Diffuser** - Glass diffuser specially for LED with integrated PMMA optical lens.
- LED** - reducing energy consumption with L80/B10/F10 70,000 hrs lifetime.
- Standards** - manufactured in accordance with tested as per PTPS IEC 62722
- Accessories** - PVC back box.

CODE	WATTAGE	LUMEN	SIZE mm	
1512202	1.5W	180lm	50 X 50 X 38.5H	Ø45 X 50H
1512203	3W	360lm	50 X 50 X 38.5H	Ø45 X 50H
1512302	1.5W	180lm	Ø50 X 38.5H	Ø45 X 50H
1512303	3W	360lm	Ø50 X 38.5H	Ø45 X 50H



LED		ECO	
55°C	Glowing Wire Test - 850°		
-25°C	IP 66	IK 09	UGR <19
			SDCM 2.0/3.0
CIDET	EAC	COMPLIANCE	
		LM-79 TM-21 (TM-80)	
PASEL ACCREDITATION	SMD	CRI >90	
SELV	F		
RoHS	COMPLIANCE		U
CE	220-240V	50/60Hz	DC 24V
A++			



LED Drivers - PHILIPS TRIDONIC | LED Chips - BRIDGELUX PHILIPS

In a continuing effort to offer the best product possible, we reserve the right to change, without notice, specifications or materials that in our opinion will not alter the function of the product. Specification sheets found at www.romaluce.it are the most recent versions and supercede all other printed or electronic versions.