

Objective

Astlight is an adjustable, weatherproof fixture designed for outdoor illumination. Its base and pivoting head are made in high quality material for durability. The housing is made of die-cast aluminium. Use the angled shroud for a more focused beam of light. With low glare rating to ensure a bright and homogeneous, but mostly pleasant and comfortable light. The LED is warranty of high lumen performance in restrained consumptions.

Obiettivo

Astlight è un dispositivo resistente alle intemperie progettato per l'illuminazione di esterni. La sua base e la testa girevole sono realizzati in materiale di alta qualità per durare nel tempo. l'alloggiamento è realizzato in alluminio pressofuso. Usa la copertura angolata per un raggio di luce più concentrato. Con basso livello di abbagliamento per garantire una luce brillante e omogenea, ma soprattutto piacevole e confortevole. Il LED è garanzia di alte prestazioni lumen in consumi limitati.

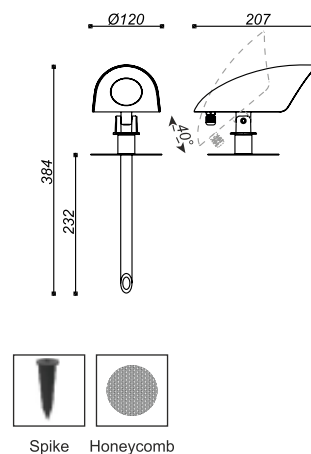
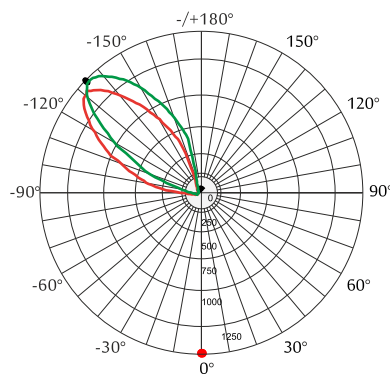
Description

- Housing** - Made of dia cast aluminum powder coated with choice of RAL color.
- Diffuser** - Tempered clear glass diffuser specially for LED.
- Reflector** - Anodized aluminium reflector.
- LED** - reducing energy consumption with L80/B10/F10 50,000 hrs lifetime.
- Standards** - manufactured in accordance with EN 60598-1 and 60598-2-1
- Accessories** - Honeycomb, spike, mounting kit.

CODE	WATTAGE	LUMEN	SIZE mm
2140906	6W	720lm	120 X 207 X 384H
2140908	8W	960lm	120 X 207 X 384H
2140912	12W	1440lm	120 X 207 X 384H



PHASE DIMMING	ENERGY STAR	ECO	LED
65°C	Glowing Wire		
-20°C	Test - 850°		
IP 54	IK 08	UGR <21	SDCM 2.0/3.0
CIDET	EAC	COMPLIANCE	LM-79 TM-21
PASEL ACCREDITATION	COB	CRI >90	series wiring
ROHS	SELV	F	
CE	COMPLIANCE	U	
A++	85-265V	50/60Hz	



- 2700K
- 3000K
- 4000K
- 5000K
- 6000K
- 6500K



LED Drivers - PHILIPS GTCI MEAN WELL TDCI TRIDONIC LED Chips - BRIDGELUX CREE SHARP SAMSUNG PHILIPS CITIZEN

In a continuing effort to offer the best product possible, we reserve the right to change, without notice, specifications or materials that in our opinion will not alter the function of the product. Specification sheets found at www.romaluce.it are the most recent versions and supercede all other printed or electronic versions.