

**Objective**

The item has the classic design of a bollard light, available with little differences in the top shape to satisfy the details lovers. The light source is an LED high efficiency system, which ensures high performances while saving energy. All the items have features like easy installation, very low maintenance needs and full safety for electrical systems and people.

**Obiettivo**

L'articolo ha il design classico di un paletto luminoso, disponibile con piccole differenze nella forma superiore per soddisfare gli amanti dei dettagli. La sorgente luminosa è un sistema LED ad alta efficienza, che garantisce elevate prestazioni risparmiando energia. Tutti gli articoli hanno caratteristiche come facilità di installazione, esigenze di manutenzione molto basse e piena sicurezza per gli impianti elettrici e le persone.

**Description**

**Housing** - Die cast aluminium powder coated with choice of RAL colors.

**Diffuser** - Opal polycarbonate anti UV diffuser.

**Reflector** - Anodized Polished specular aluminium reflector.

**LED** - reducing energy consumption with L80/B10/F10 50,000 hrs lifetime.

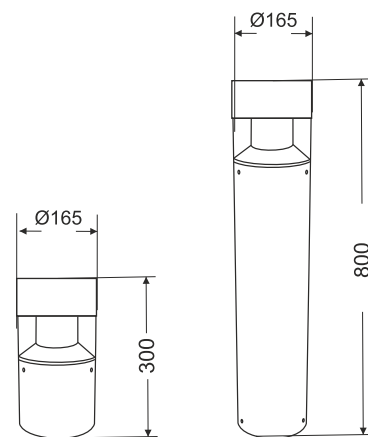
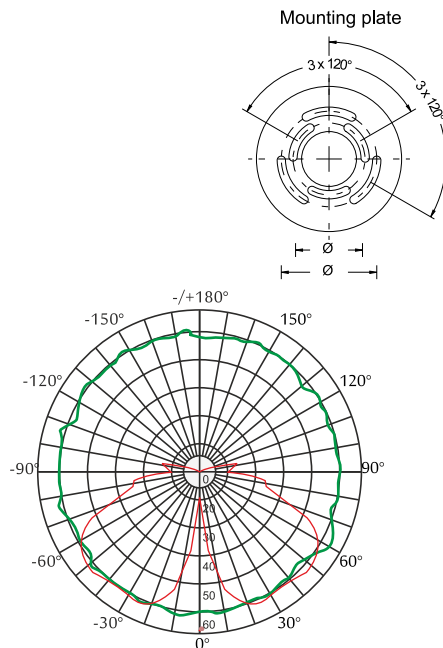
**Standards** - manufactured in accordance with tested as per PTPS IEC 62722

Customized level of high can request

CODE	WATTAGE	LUMEN	SIZE mm
1331006	6W	660lm	Ø165 X 300 H
1331008	8W	880lm	Ø165 X 800 H
1331015	15W	1500lm	Ø165 X 800 H



PHASE DIMMING		DALI		1-10 DIMMING		LED ENERGY STAR	
65°C		-20°C		Glowing Wire Test - 850°			
IP 65		IK 08		UGR <22		SDCM 2.0/3.0	
CIDET		EAC		COMPLIANCE LM-79 TM-21 (lm-80)			
PASEL ACCREDITATION		SMD		CRI >90		Eco	
ROHS		SELV		F		ECO	
CE		COMPLIANCE		U			
A++		220~265V 50/60Hz					



2700K  
3000K  
4000K  
5000K  
6000K  
6500K

360°

LED Drivers - PHILIPS GTCI TRIDONIC LED Chips - BRIDGELUX CREE SHARP SAMSUNG PHILIPS CITIZEN

In a continuing effort to offer the best product possible, we reserve the right to change, without notice, specifications or materials that in our opinion will not alter the function of the product. Specification sheets found at [www.romaluce.it](http://www.romaluce.it) are the most recent versions and supercede all other printed or electronic versions.