

**Objective**

Single emission projectors for outdoor application. The super warm to cool LED light source with a narrow, medium, wide spot light distribution is composed of 1 power led LEDs with CCT of 2700 up to 6000 K and a CRI 90; the source luminous flux is 240 lm, with a 120 lm/W nominal luminous efficacy. the device body is made of stainless 316L steel and features a steel finish or powder coated with RAL selection, processed by means of brushing; the diffuser is made of extra glass - tempered with a silk-screening treatment. The ingress protection degree is IP67. MANY power options.

**Obiettivo**

Proiettori a singola emissione per applicazione esterna. La sorgente luminosa a LED da super calda a fredda con una distribuzione della luce spot stretta, media e ampia è composta da 1 LED a led di potenza con CCT da 2700 a 6000 K e un CRI 90; il flusso luminoso sorgente è di 240 lm, con un'efficienza luminosa nominale di 120 lm / W. Il corpo del dispositivo è realizzato in acciaio aisi 316L e presenta una finitura in acciaio o polvere rivestita con selezione RAL, lavorata mediante spazzolatura; il diffusore è in vetro extra temperato con trattamento serigrafico. Il grado di protezione dell'ingresso è IP67. MOLTE opzioni di alimentazione.

**Description**

**Housing** - Made of 316L stainless steel body with choice of RAL color.

High corrosion housing with stainless steel screw in additional with rubber silicon gasket supplied with stainless steel mounting brackets.

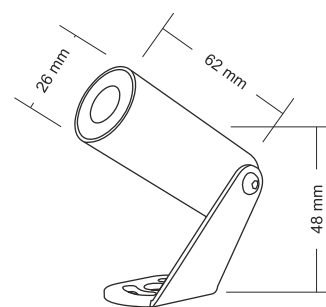
**Diffuser** - Tempered glass diffuser specially for LED with optical PMMA lens.

**LED** - reducing energy consumption with L80/B10/F10 50,000 hrs lifetime.

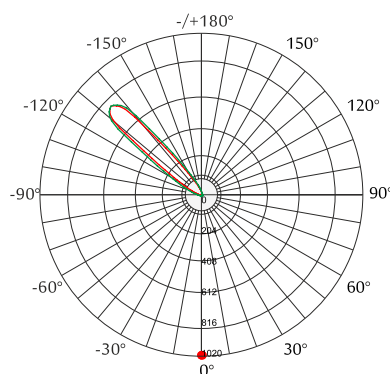
**Standards** - manufactured in accordance with EN 60598-1 and 60598-2-1

**Accessories** - Spike

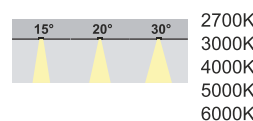
CODE	WATTAGE	LUMEN	SIZE mm
2150702	2W	240lm	Ø26 X 62 X 48H
2150704	4W	Ø26 X 62 X 48H	



LED	ENERGY STAR	ECO
PHASE DIMMING	DALI	1-10 DIMMING
65°C	Glowing Wire Test - 850°	
-20°C		
IP 67	IK 08	UGR <21
		SDCM 2.0/3.0
CIDET	EAC	COMPLIANCE LM-79 TM-21 LM-80
PASEL ACCREDITATION	COB	CRI >90
SELV	F	series wiring
ROHS		
CE	COMPLIANCE	U
A++		DC 24V



Spike



LED Drivers - PHILIPS GHI MEAN WELL GTCI TRIDONIC LED Chips - BRIDGELUX CREE SHARP SAMSUNG PHILIPS CITIZEN

In a continuing effort to offer the best product possible, we reserve the right to change, without notice, specifications or materials that in our opinion will not alter the function of the product. Specification sheets found at www.romaluce.it are the most recent versions and supercede all other printed or electronic versions.