

**Objective**

A resistant die cast aluminium housing prevents the corrosion, the possible rust, and the damages caused from hard weather conditions and the LEDs are protected by an impact-proof tempered glass lens. Thanks to the advanced technology LEDs mounted, the product is highly efficient (great performances and energy saving) and it needs very low maintenance in its long working lifespan: this light replaces metal-halide (MH) lights with comparable output and lasts 5 times longer. Internal silicone gasket with high lumen output Easy installation.

**Obiettivo**

Una custodia in alluminio pressofuso resistente evita la corrosione, l'eventuale ruggine e i danni causati da condizioni meteorologiche avverse e i LED sono protetti da una lente in vetro temperato resistente agli urti. Grazie ai LED a tecnologia avanzata montati, il prodotto è altamente efficiente (ottime prestazioni e risparmio energetico) e richiede una manutenzione molto bassa nella sua lunga durata di vita: questa lampada sostituisce le lampade a ioduri metallici (MH) con output comparabili e dura 5 volte di più. Installazione facile.

**Description**

**Housing** - Made of high corrosion dia cast aluminum powder coated with choice of RAL color or anodized finish. Stainless steel screw in additional with rubber & silicon gasket supplied with stainless steel mounting brackets.

**Diffuser** - Tempered glass diffuser specially for LED with optical lens.

**LED** - reducing energy consumption with L80/B10/F10 50,000 hrs lifetime.

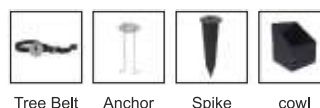
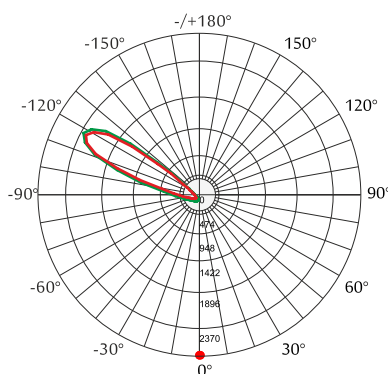
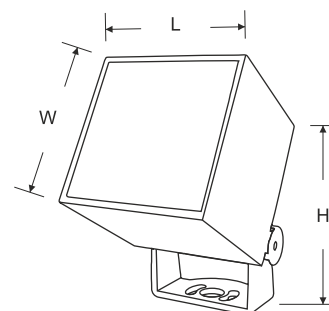
**Standards** - manufactured in accordance with EN 60598-1 and 60598-2-1

**Accessories** - Tree belt, anchor bolt, spike, cowl.

CODE	WATTAGE	LUMEN	SIZE mm	TYPE
2150202	2W	240lm	58 X 58 X 75H	A
2150210	10W	1200lm	110 X 110 X 132H	B
2150212	12W	1440lm	110 X 110 X 132H	B



LED	EMERSON	ECO	
PHASE DIMMING	DALI	1-10 DIMMING	
65°C	Glowing Wire	Test - 850°	
-20°C			
IP 66	IK 09	UGR <21	SDCM 2.0/3.0
CIDET	EAC	COMPLIANCE LM-79 TM-21 LM-80	
PASEL ACCREDITATION	SMD COB	CRI >90	
ROHS	SELV	F	series wiring
CE	COMPLIANCE	U	
A++	DC 24V	85-265V	50/60Hz



2700K  
3000K  
4000K  
5000K  
6000K



LED Drivers - PHILIPS GHI MEAN WELL GTCI TRIDONIC LED Chips - BRIDGELUX CREE SHARP SAMSUNG PHILIPS CITIZEN

In a continuing effort to offer the best product possible, we reserve the right to change, without notice, specifications or materials that in our opinion will not alter the function of the product. Specification sheets found at www.romaluce.it are the most recent versions and supercede all other printed or electronic versions.