

*****INSTALLATION MANUAL*****

Safety tips before starting

- *Let always an expert/authorized technician make the installation.
- *Before you start please shut off the power to prevent electric shock.
- *The products with energetic class II do not require the Earth / Ground connection so please do not connect the neutral if is not required. Instead, if the item is class energetic I, please do connect the neutral to Earth.
- *Consider always to leave some space for the heat sink of the led device, it need it to cool down after use
- *Do not connect any Led device without its recommended driver
- *Your individual product may vary from the design shown in the pictures
- *Do not disassemble your product
- *If any modification is made in the item or any wrong installation cause any damage to it, the warranty will be invalidated.

Installation

Luminaire housing must not be installed in heat-insulating material. A separate power supply unit is required to operate the luminaire.

For installation in drilled holes, a recessed opening of the minimum cutout DIA size with a minimum depth of 100 mm is required to hold the installation sleeve.

Press the installation sleeve firmly into the recessed opening.

The cable connection must be established on site with the correct protection class and safety class for the luminaire.

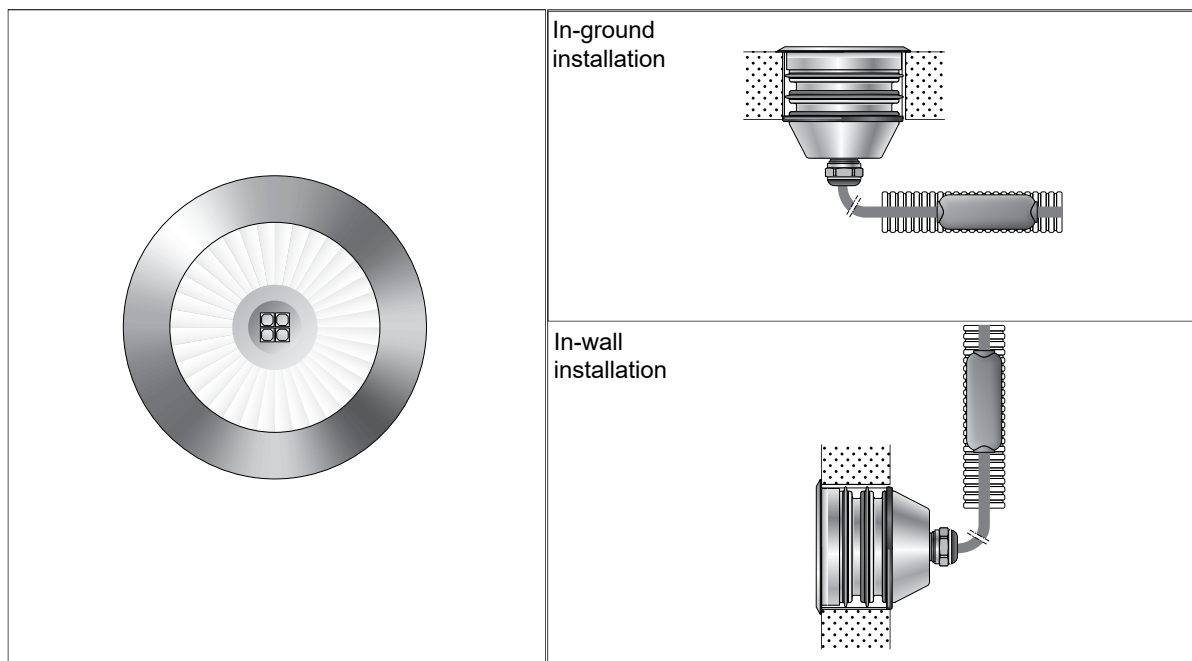
To protect the luminaire power supply cable against damage we recommend you to use a PVC conduit on-site.

A 24V safety direct voltage source with a smoothed residual ripple of max. 10 % is required for the electrical connection of the luminaire.

If other safety direct voltage sources are used, an upstream fuse (max. 6 A) must be provided by the customer.

The black wire is to be connected to the negative terminal, the red wire to the positive terminal on the power supply unit.

Press the luminaire into the installation sleeve.



Thanks for your purchase !