

Objective

Designed to illuminate avenues, walkways, pathways, gardens and parks without glaring, it is available with two types of emission: 360 ° or 180 °. The item has the classic design of a bollard light, available with little differences in the top shape to satisfy the details lovers. The light source is an LED high efficiency system, which ensures high performances while saving energy. All the items have features like easy installation, very low maintenance needs and full safety for electrical systems and people.

Obiettivo

Progettato per illuminare senza abbagliare viali, camminamenti, vialetti, giardini e parchi, è disponibile con due tipologie di emissione: 360 ° o 180 °. L'articolo ha il design classico di un paletto luminoso, disponibile con piccole differenze nella forma superiore per soddisfare gli amanti dei dettagli. La sorgente luminosa è un sistema LED ad alta efficienza, che garantisce elevate prestazioni risparmiando energia. Tutti gli articoli hanno caratteristiche come facilità di installazione, esigenze di manutenzione molto basse e piena sicurezza per gli impianti elettrici e le persone.

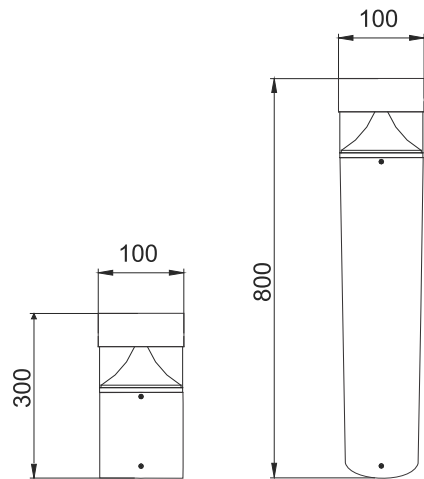
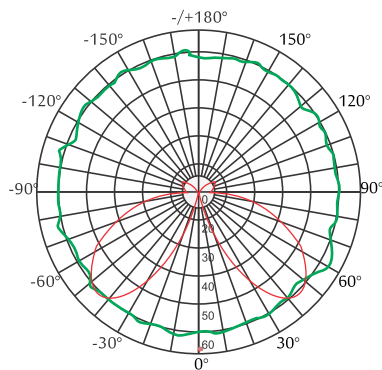
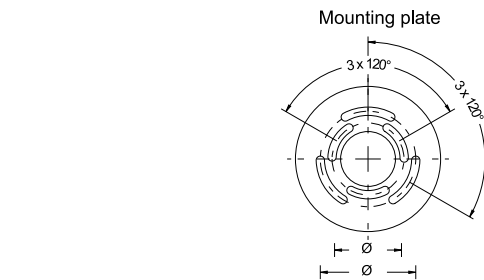
Description

- Housing** - Die cast aluminium powder coated with choice of RAL colors.
- Diffuser** - Clear polycarbonate anti UV diffuser.
- Reflector** - Anodized Polished specular aluminum reflector.
- LED** - reducing energy consumption with L80/B10/F10 50,000 hrs lifetime.
- Standards** - manufactured in accordance with tested as per PTPS IEC 62722
- Colors** - White, Black, Corten, Sand, Dark Grey, Light Grey
- Accessories** - IP 68 Fast connector.

| CODE | WATTAGE | LUMEN | SIZE mm |
|---------|---------|--------|---------------|
| 1341612 | 12W | 1320lm | Ø100 X 300 H |
| 1341626 | 26W | 2860lm | Ø100 X 600 H |
| 1341628 | 28W | 3080lm | Ø100 X 800 H |
| 1341630 | 30W | 3300lm | Ø100 X 1000 H |



| | | |
|---------------------|--------------------------|--------------------------------|
| LED | ENERGY STAR | ECO |
| PHASE DIMMING | DALI | 1-10 DIMMING |
| 65°C | Glowing Wire Test - 850° | |
| -20°C | IP 65 | IK 09 |
| UGR <22 | SDCM 2.0/3.0 | COMPLIANCE LM-79 TM-21 (lm-80) |
| CIDET | EAC | |
| PASEL ACCREDITATION | SMD | CRI >90 |
| RoHS | SELV | series wiring |
| CE | COMPLIANCE | U |
| A++ | 220~265V 50/60Hz | |



Anchor Bolt

HV

Half Vision

180°

360°

2700K
3000K
4000K
5000K
6000K
6500K

LED Drivers - PHILIPS GTCI MEAN WELL GTCI TRIDONIC LED Chips - BRIDGELUX CREE SHARP SAMSUNG PHILIPS CITIZEN

In a continuing effort to offer the best product possible, we reserve the right to change, without notice, specifications or materials that in our opinion will not alter the function of the product. Specification sheets found at www.romaluce.it are the most recent versions and supercede all other printed or electronic versions.