

Objective

Designed in a creative carrier buckle extremely convenient for installation and maintenance. Aluminum profile with high-quality surface treatment and three optional colors of black, white, and silver. Specially designed light source with PC diffusers producing homogenous & soft lighting. Super free connection: 180° extender

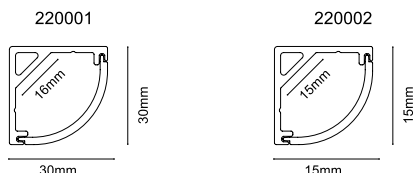
Obiettivo

Progettato con una fibbia portante creativa estremamente conveniente per l'installazione e la manutenzione. Profilo in alluminio con trattamento superficiale di alta qualità e tre colori opzionali di nero, bianco e argento. Sorgente luminosa appositamente progettata con diffusori per PC che producono un'illuminazione omogenea e morbida. Collegamento super libero: prolunga a 180°, angolo

Description

Housing - 6063 alloy used for aluminum extruded. It allows complex shapes to be formed with very smooth surfaces fit for anodizing and so is popular for visible architectural applications. This aluminum profile can be manufactured with maximum length 5000mm and it has several mounting accessories as corner application kit.

Diffuser - PMMA opal, clear or prismatic



Applications



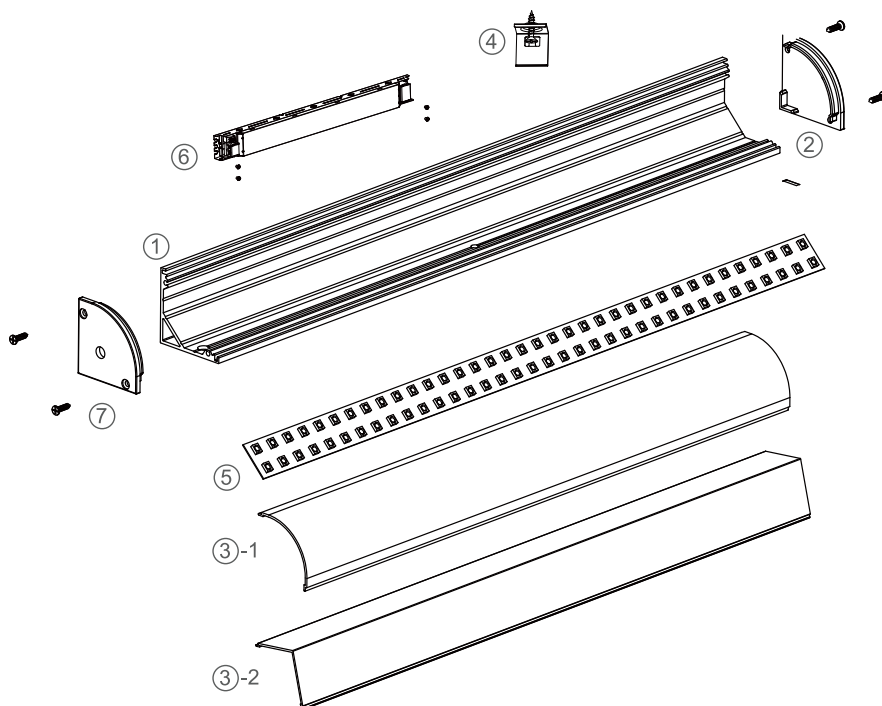
Corners mounted

Essentials

- 1- Profile x 1
- 2- End caps x 4
- 3--1 "C" Diffuser x 1
- 3--1 "K" Diffuser x 1

Others

- 4- Clip X 8
- 5- Flexible Strip
- 6- Power supply
- 7- End cap with hole



In a continuing effort to offer the best product possible, we reserve the right to change, without notice, specifications or materials that in our opinion will not alter the function of the product. Specification sheets found at www.romaluce.it are the most recent versions and supercede all other printed or electronic versions.