

**Objective**

UFFICIALE LED is the splendid and conclusive result of constant advancements made in the classic UFFICIALE collection. Perfectly arranged right down to the last detail, it sets new standards in the fields of LED lighting technology, energy efficiency and design. Fitted with highly efficient LEDs, this light fitting gives modern architecture an extraordinary sense of innovation and exclusivity. Multi application for offices and workstation areas.

**Obiettivo**

UFFICIALE LED è lo splendido conseguente risultato dei costanti progressi fatti nella classica collezione UFFICIALE. Perfettamente rifinito sino all'ultimo dettaglio, stabilisce nuovi standard nel campo della tecnologia LED, dell'efficienza energetica e del design. Equipaggiata di LED ad alta efficienza, questa luminaria dà all'architettura moderna uno straordinario senso di innovazione ed esclusività. Multi impiego per uffici e postazioni lavorative.

**Description**

**Housing** - High pure Extruded aluminum powder coated RAL colors.

**Diffuser** - Opal PMMA diffuser specially for LED.

**Reflector** - Powder coated aluminum sheet.

**LED** - reducing energy consumption with L80/B10/F10 50,000 hrs lifetime.

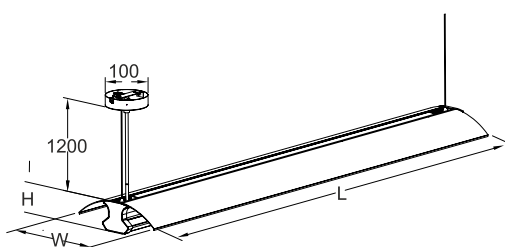
**Standards** - manufactured in accordance with tested as per PTPS IEC 62722

Maximum length size is 3000mm.

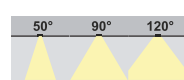
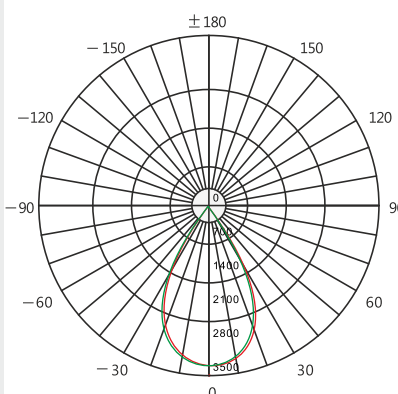
**Mounting Methods** - Suspension, ceiling mounted, available for shadow free continuous lighting system.

Emergency Kit also available

CODE	WATTAGE	LUMEN	SIZE mm
9520836	36W	4320lm	1172 X 236 X 74 H
9520845	45W	5400lm	1172 X 236 X 74 H
9520940	40W	4800lm	1552 X 236 X 74 H
9520960	60W	7200lm	1552 X 236 X 74 H



LED	ENERGY STAR	ECO	DIFFERENT LENGTH
PHASE DIMMING	DALI	1-10 DIMMING	
55°C	Glowing Wire	Test - 850°	
-25°C			
IP 44	IK 06	UGR <19	SDCM 2.0/3.0
CIDET	EAC	COMPLIANCE LM-79 TM-21 LM-80	
PASEL ACCREDITATION	SMD	CRI >90	
ROHS	SELV	F	series wiring
CE	COMPLIANCE	U	
A++	220~240V 50/60Hz		



- 2700K
- 3000K
- 4000K
- 5000K
- 6000K
- 6500K



LED Drivers - TRIDONIC | LED Chips - CREE SAMSUNG PHILIPS

In a continuing effort to offer the best product possible, we reserve the right to change, without notice, specifications or materials that in our opinion will not alter the function of the product. Specification sheets found at [www.romaluce.it](http://www.romaluce.it) are the most recent versions and supercede all other printed or electronic versions.

## Introduction

Not only with modern and classic aesthetics looking, this linear light also has a special optic design: up&down lighting and symmetrical lighting(with special wing shape). It adopts high lumen efficiency SMD light source, 1W LED for up&down main lighting, 0.2W LED for Symmetrical soft lighting. The shape design highly increased lighting area, also lowered the glare to make it  $UGR < 19$ . For structure design, it adopts super large aluminum profile which makes the heat dissipation area is 2 times larger than the normal required area, so that the internal LED chips' working temperature is lower than  $53^{\circ}\text{C}$  and significantly improves the lamp lifespan. It is suitable for dining room and office to achieve both lighting effect and decoration effect.

## Features

- Internal BOKE brand driver, more than 50,000hrs lifespan.
- Interchangeable CCT 3000K+4000K /3000K+4000K+5700K optional.
- It adopts super large aluminum profile which makes the heat dissipation area is twice larger than the normal required area, so that the internal LED chips' working temperature is lower than  $53^{\circ}\text{C}$  and significantly improves the lamp lifespan.
- The symmetrical wings design on both sides creates a bright and soft luminous effect while increasing the luminous area.
- It's an up&down lighting design. The light sources on both sides of the product emit light downward through the diffuse reflection of the symmetrical wings.
- The shielding angle of main lighting is over 25 degree,  $UGR < 16$  for the whole lamp.

## Application Areas

It is widely used in canteen, office, meeting room etc.

