

**Objective**

This LED flood light emits a wide assymtrical beam of cool, natural, or warm white illumination for landscape lighting and parking lighting. The powerful high efficient LED system emits up to 6900lm lumens for ample outdoor illumination and operates, at the same time, saving energy. The weatherproof light source housing is constructed of heavy-duty die cast aluminium with an integral heat sink and a tempered glass lens. An adjustable mounting bracket allows you to direct illumination where it's needed.

**Obiettivo**

Questa luce di inondazione a LED emette un ampio raggio di illuminazione in freddo, naturale o caldo bianco per l'illuminazione del paesaggio e l'illuminazione di parcheggio. Il potente sistema LED ad alta efficienza emette fino a 11.000 lumen per un'ampia illuminazione esterna e funziona, allo stesso tempo, risparmiando energia. L'alloggiamento della sorgente di luce a prova di intemperie è costruito in alluminio pressofuso resistente con un dissipatore di calore integrato e una lente in vetro temperato. Una staffa di montaggio regolabile consente di dirigere l'illuminazione dove è necessario.

**Description**

**Housing** - Made of dia cast aluminum powder coated with choice of RAL color.

High corrosion aluminium body with stainless steel screw in additional with rubber silicon gasket supplied.

**Diffuser** - Tempered clear glass diffuser specially for LED

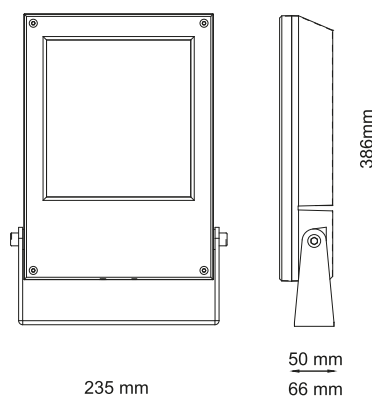
**Reflector** - Polished anodized aluminium assymtrical reflector.

**LED** - reducing energy consumption with L80/B10/F10 50,000 hrs lifetime.

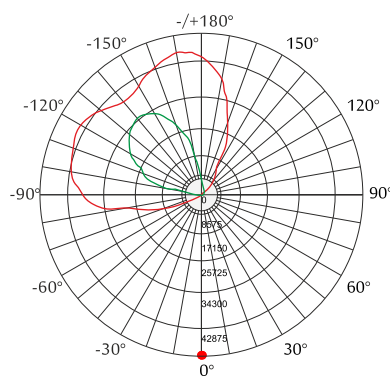
**Standards** - manufactured in accordance with EN 60598-1 and 60598-2-1

**Accessories** - Mounting brackets.

| CODE    | WATTAGE | LUMEN  | SIZE mm          |
|---------|---------|--------|------------------|
| 2142140 | 40W     | 4600lm | 235 X 66 X 386 H |
| 2142150 | 50W     | 5750lm | 235 X 66 X 386 H |
| 2142160 | 60W     | 6900lm | 235 X 66 X 386 H |



|                     |                          |                                |
|---------------------|--------------------------|--------------------------------|
| LED                 | ENERGY STAR              | ECO                            |
| PHASE DIMMING       | DALI                     | 1-10 DIMMING                   |
| 65°C                | Glowing Wire Test - 850° |                                |
| -20°C               |                          |                                |
| IP 66               | IK 10                    | UGR <21                        |
|                     |                          | SDCM 2.0/3.0                   |
| CIDET               | EAC                      | COMPLIANCE LM-79 TM-21 (lm-80) |
| PASEL ACCREDITATION | SMD                      | CRI >90                        |
| ROHS                | SELV                     | series wiring                  |
| CE                  | COMPLIANCE               | U                              |
| A++                 | 85-265V                  | 50/60Hz                        |



120x70°

2700K  
3000K  
4000K  
5000K  
6000K  
6500K

LED Drivers - PHILIPS GTI MEAN WELL TPCI TRIDONIC LED Chips - BRIDGELUX CREE SHARP SAMSUNG PHILIPS CITIZEN

In a continuing effort to offer the best product possible, we reserve the right to change, without notice, specifications or materials that in our opinion will not alter the function of the product. Specification sheets found at www.romaluce.it are the most recent versions and supercede all other printed or electronic versions.