

Objective

The high efficient LED system provides excellent result in luminous flux, light brightness, light uniformity and light pleasantness. Available in -up or up-and-down light option. Marv LED wall light looks fabulous at the entrance to any modern home, with its light that can optionally be used either side of a doorway for a beautiful framing effect.

Obiettivo

Il sistema LED altamente efficiente provvede ad eccellenti risultati di flusso luminoso, brillantezza, uniformità e piacevolezza della luce. Disponibile in opzione di luce emessa verso l'alto o verso alto e basso, entrambe le direzioni. La lampada da parete Marv si dimostra favolosa all'entrata di ogni casa moderna, con la sua luce può opzionalmente essere montata su ambedue i lati della porta d'ingresso per un bellissimo effetto "incorniciato".

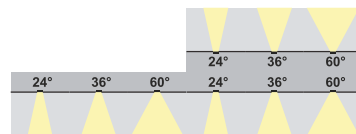
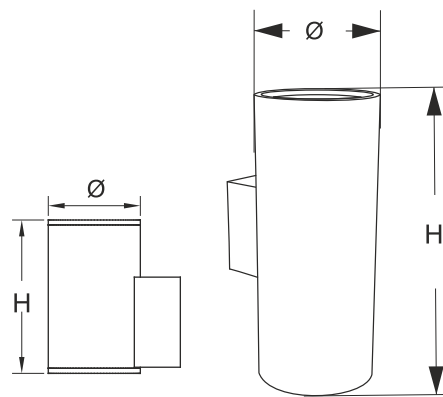
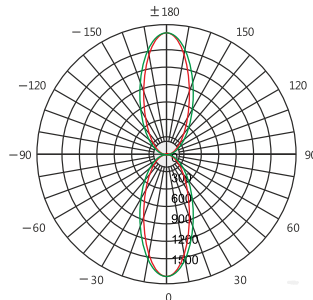
Description

- Housing** - Made of die cast aluminum powder coated with choice of RAL color
- Diffuser** - Transparent tempered glass diffuser specially for LED
- Reflector** - Anodized polished aluminum
- LED** - reducing energy consumption with L80/B10/F10 50,000 hrs lifetime.
- Standards** - manufactured in accordance with tested as per PTPS IEC 62722

CODE	WATTAGE	LUMEN	SIZE mm
1610806	6W	720lm	Ø80 X 145 H
1610808	8W	960lm	Ø90 X 150 H
1610815	15W	1800lm	Ø108 X 180 H
1610820	20W	2400lm	Ø145 X 210 H
1610912	2X6W	1440lm	Ø90 X 220 H
1610916	2X8W	1920lm	Ø108 X 260 H
1610930	2X15W	3600lm	Ø145 X 310 H



LED	ENERGY STAR	ECO	
55°C	Glowing Wire Test - 850°		
-25°C			
IP 65	IK 08	UGR <21	SDCM 2.0/3.0
CIDET	EAC	COMPLIANCE LM-79 TM-21	LM-80
PASEL ACCREDITATION	COB	CRI >90	
RoHS	SELV	F series wiring	
CE	COMPLIANCE	U	
A++	185-265V	50/60Hz	



- 2700K
- 3000K
- 4000K
- 5000K
- 6000K
- 6500K



LED Drivers - PHILIPS GTI | MWM | GTCI TRIDONIC | LED Chips - BRIDGELUX | CREE | SHARP | SAMSUNG | PHILIPS | CITIZEN

In a continuing effort to offer the best product possible, we reserve the right to change, without notice, specifications or materials that in our opinion will not alter the function of the product. Specification sheets found at www.romaluce.it are the most recent versions and supercede all other printed or electronic versions.