

Objective

The ELLELUNGA has the classic design of a bollard or pole light, available with little differences in the top shape to satisfy the details lovers. The light source is an LED high efficiency system, which ensures high performances while saving energy. All the items have features like easy installation, very low maintenance needs and full safety for electrical systems and people.

Obiettivo

ELLELUNGA ha il design classico di un paletto luminoso o paletto luminoso, disponibile con piccole differenze nella forma superiore per soddisfare gli amanti dei dettagli. La sorgente luminosa è un sistema a LED ad alta efficienza, che garantisce prestazioni elevate risparmiando energia. Tutti gli articoli hanno caratteristiche come facilità di installazione, bassissime esigenze di manutenzione e piena sicurezza per impianti elettrici e persone.

Description

Housing - Extruded aluminium Profile with high corrosion Solvent free coated with choice of RAL colors

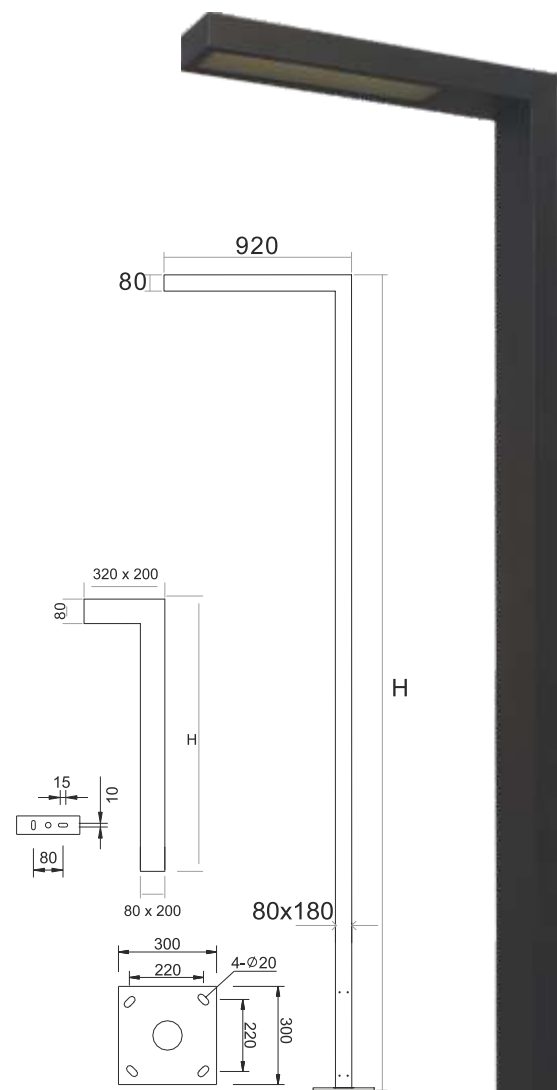
Diffuser - Tempered frosted glass.

LED - reducing energy consumption with L80/B10/F10 50,000 hrs lifetime.

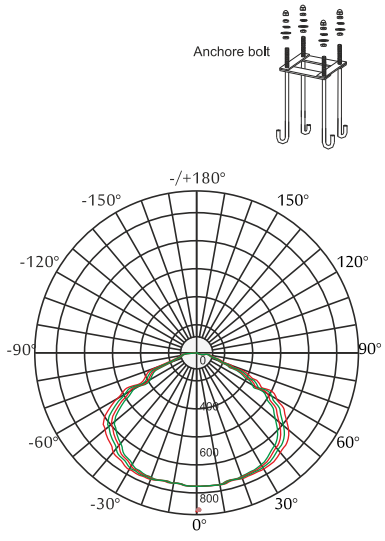
Standards - manufactured in accordance with tested as per PTPS IEC 62722

Accessories - Anchor Bolt

CODE	WATTAGE	LUMEN	SIZE mm
1339015	15W	1680lm	320 X 200 X 380H
1339020	20W	2240lm	320 X 200 X 600H
1339030	30W	3360lm	320 X 200 X 900H
1339045	45W	5040lm	920 X 200 X 3000/4000H



LED	ENERGY STAR	ECO
PHASE DIMMING	DALI	1-10 DIMMING
65°C	Glowing Wire Test - 850°	
-20°C	IP 65	IK 09
UGR <22	SDCM 2.0/3.0	COMPLIANCE LM-79 TM-21 (TM-80)
CIDET	EAC	
PASEL ACCREDITATION	SMD	CRI >90
SELV	F	series wiring
RoHS		
CE	COMPLIANCE	U
A++	220~265V 50/60Hz	



- 2700K
- 3000K
- 4000K
- 5000K
- 6000K
- 6500K



LED Drivers - PHILIPS GTCI MEAN WELL GTCI TRIDONIC LED Chips - BRIDGELUX CREE SHARP SAMSUNG PHILIPS CITIZEN

In a continuing effort to offer the best product possible, we reserve the right to change, without notice, specifications or materials that in our opinion will not alter the function of the product. Specification sheets found at www.romaluce.it are the most recent versions and supercede all other printed or electronic versions.