

Objective

The Minimalist led feature add a touch of elegance for a slim linear body that can easily blend with many styles so that the item can blend in any architectural concept. Outstanding lighting performances combined to narrow beam angle effect and special optical system for high visual comfort make this item an excellence of its category. Black and white Matte high quality powder coating contribute to the refined look.

Obiettivo

La caratteristica dei led minimalisti aggiunge un tocco di eleganza ad un prodotto dal corpo lineare e sottile che si amalgama alla perfezione con molteplici stili differenti, rendendo così l'articolo compatibile ad ogni concept di design. Le prestazioni illuminotecniche elevate vengono combinate ad un'angolazione acuta dell'effetto di luce e uno speciale sistema ottico integrato che assicura alto comfort visivo, rendendo questo articolo un'eccellenza di categoria. L'alta qualità nella finitura in bianco o nero satinato contribuisce invece a perfezionare l'aspetto raffinato.

Description

Housing - Die cast aluminium powder coated with choice of RAL colors

Diffuser - Tempered clear glass.

Reflector - Black aluminium reflector.

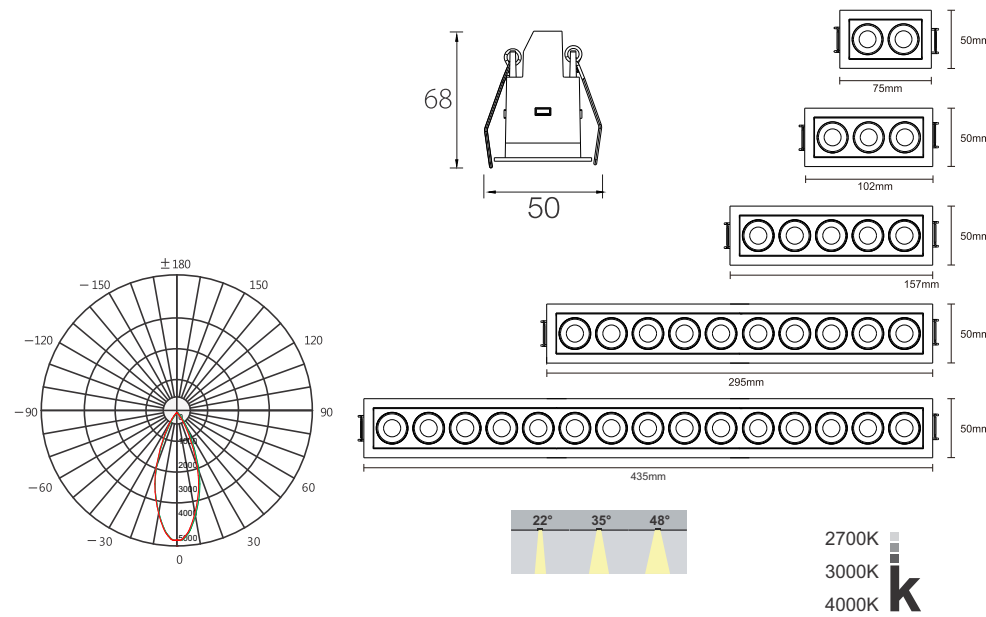
LED - reducing energy consumption with L80/B10/F10 50,000 hrs lifetime.

Standards - manufactured in accordance with tested as per PTPS IEC 62722

CODE	WATTAGE	LUMEN	SIZE mm	
6099504	4W	440lm	75 X 50 X 68 H	62 X 37
6099507	7W	770lm	102 X 50 X 68 H	90 X 37
6099511	11W	1210lm	157 X 50 X 68 H	144 X 37
6099520	20W	2200lm	295 X 50 X 68 H	282 X 37
6099530	30W	3300lm	435 X 50 X 68 H	421 X 37



PHASE DIMMING	DALI	1-10 DIMMING
55°C	Glowing Wire Test - 850°	
-25°C	IP 65	ECO
UGR <19	SDCM 2.0/3.0	COMPLIANCE
PASEL	COB	CRI >90
	SELV	series wiring
A++	85~265V 50/60Hz	



LED Drivers - PHILIPS TRIDONIC | LED Chips - BRIDGELUX PHILIPS

In a continuing effort to offer the best product possible, we reserve the right to change, without notice, specifications or materials that in our opinion will not alter the function of the product. Specification sheets found at www.romaluce.it are the most recent versions and supercede all other printed or electronic versions.