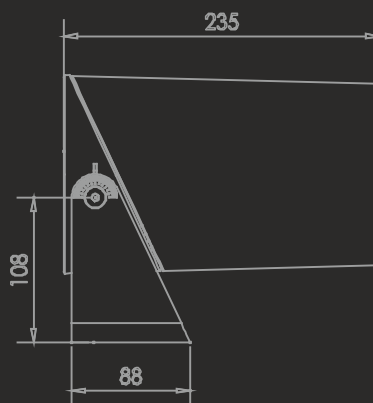
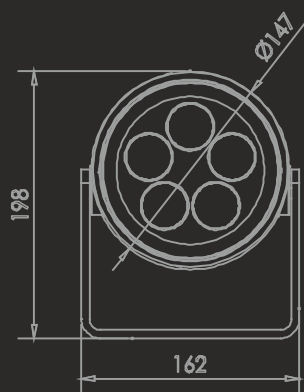
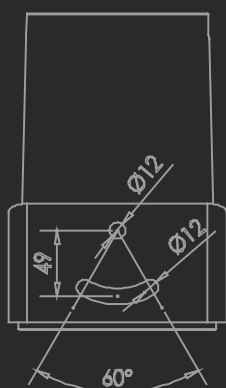


# SONIKH FLOOD LIGHT



**Objective**

High resistance raw materials to provide a weatherproof item, powder coated aluminium housing with adjustable mounting base, ground mounting, and glare shield. The light source is a highly efficient LED system, which provides high performances paying attention to consumption. The result is a stylish item with "green" character thanks to the considerable energy saving with it possible.

**Obiettivo**

Materie prime ad alta resistenza per fornire un articolo resistente alle intemperie, custodia in alluminio verniciato a polvere con base di montaggio regolabile, punta di montaggio a terra e schermo antiabbagliante. La sorgente luminosa è un sistema LED ad alta efficienza, che offre alte prestazioni prestando attenzione ai consumi. Il risultato è un oggetto elegante con carattere "verde" grazie al notevole risparmio energetico con esso possibile.

**Description**

**Housing** - Die cast aluminium powder coated with choice of RAL colors.

**Diffuser** - Tempered clear glass with optional optical glass lens.

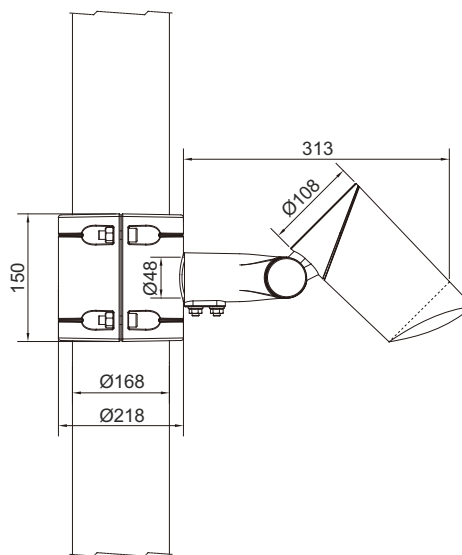
**Reflector** - Polished aluminium reflector.

**LED** - reducing energy consumption with L80/B10/F10 50,000 hrs lifetime.

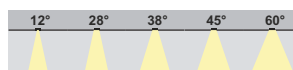
**Standards** - manufactured in accordance with tested as per PTPS IEC 62722

**Accessories** - Tree belt, spike, pole kit, wall mounted, honeycombs.

CODE	WATTAGE	LUMEN	SIZE mm
2140528	28W	3304lm	Ø147X389H



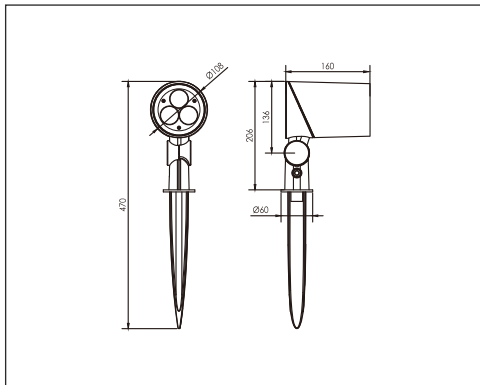
LED	ENERGY STAR	ECO	IP66
PHASE DIMMING	DALI	1-10 DIMMING	Glowing Wire Test - 850°
65°C	-20°C	IP 66	IK 09
IP 66	IK 09	UGR <21	SDCM 2.0/3.0
CIDET	EAC	COMPLIANCE LM-79 TM-21	LM-80
PASEL ACCREDITATION	SMD COB	CRI >90	series wiring
RoHS	SELV	F	series wiring
CE	COMPLIANCE	U	
<b>A++</b>	85~265V	50/60Hz	



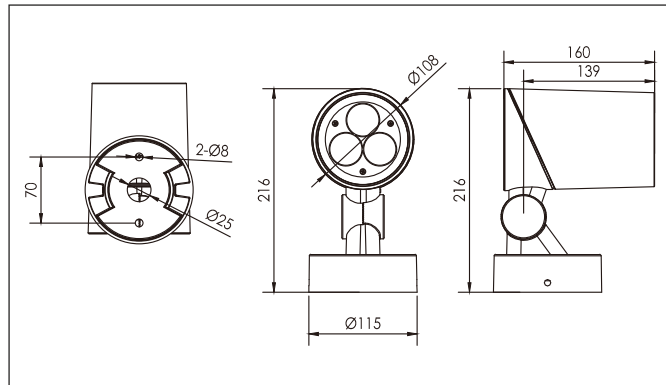
- 2700K
- 3000K
- 4000K
- 5000K
- 6000K
- 6500K



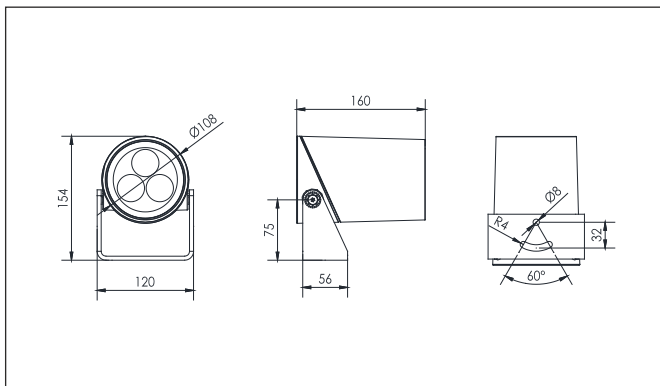
**APPLICATIONS**



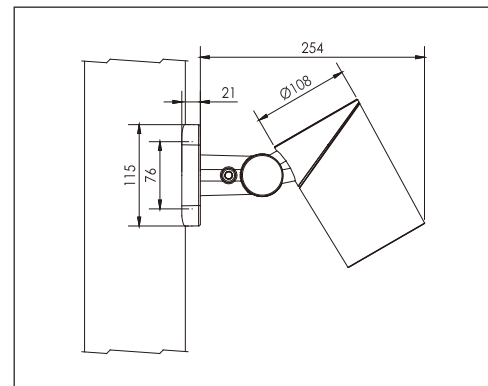
**SPIKE**



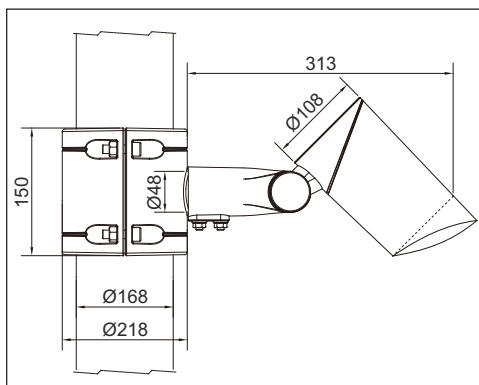
**GROUND**



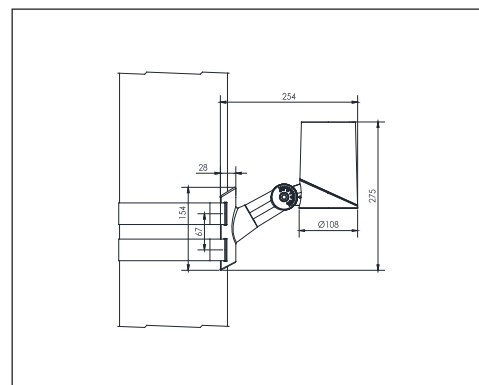
**WALL MOUNTED**



**WALL MOUNTED**



**POLE MOUNTED**

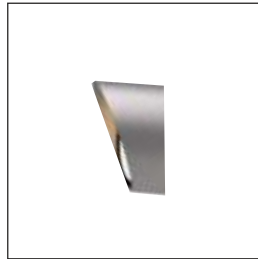


**TREE MOUNTED**

**Accessories**



Tree Belt



Visor



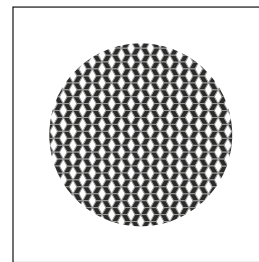
Spike



Pole Kit



Wall Mounted



Honeycomb

