

**Objective**

Rigat, the wall recessed light with die-cast aluminium body and heat sink, has the stainless steel front mask to result highly resistant and professional. The opal diffuser in polycarbonate permits a light effect with no glare and a more pleasant, homogeneous, soft light results. The High efficient SMD LED system provides excellent luminous flux values while saving energy at the same time.

**Obiettivo**

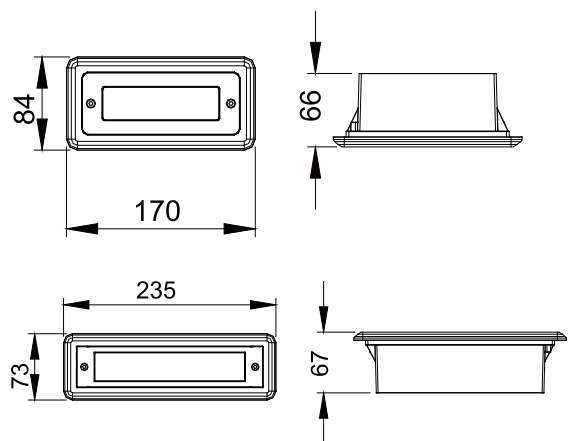
Rigat, la lampada da incasso a parete con corpo in alluminio pressofuso e dissipatore di calore, ha la mascherina frontale in acciaio inossidabile per risultare altamente resistente e professionale. Il diffusore opaco in policarbonato consente un effetto luminoso senza abbagliamento e risultati di luce più piacevoli, omogenei, morbidi, leggeri. Il sistema LED SMD ad alta efficienza fornisce eccellenti valori di flusso luminoso, risparmiando energia allo stesso tempo.

**Description**

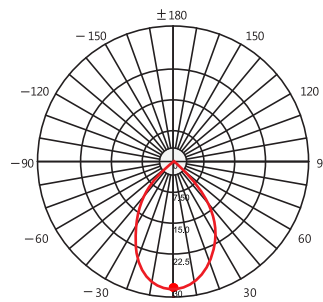
- Housing** - Die cast aluminium body along with vandal resistant fiber glass. Supplied with plastic mounting housing box.
- Reflector** - Anodized aluminum reflector.
- Diffuser** - Tempered glass.
- LED** - reducing energy consumption with L80/B10/F10 50,000 hrs lifetime.
- Standards** - manufactured in accordance with tested as per PTPS IEC 62722



CODE	WATTAGE	LUMEN	SIZE mm	Ø
1511503	3W	300lm	170 X 66 X 80 H	160 X 74
1511505	5W	500lm	235 X 67 X 73 H	225 X 63



LED	ENERGY STAR	ECO
65°C	Glowing Wire Test - 850°	-20°C
IP 65	IK 09	UGR <19
		SDCM 2.0/3.0
CIDET	EAC	COMPLIANCE LM-79 TM-21 (lm-80)
PASEL ACCREDITED	SMD	CRI >90
RoHS	SELV	F series wiring
CE	COMPLIANCE	U
<b>A++</b>	220~240V 50/60Hz	



- 2700K
- 3000K
- 4000K
- 5000K
- 6000K
- 6500K



LED Drivers - PHILIPS **GTI** **AVV** **GTI TRIDONIC** LED Chips - BRIDGELUX **CREE** **SHARP** **SAMSUNG** **PHILIPS** **CITIZEN**

In a continuing effort to offer the best product possible, we reserve the right to change, without notice, specifications or materials that in our opinion will not alter the function of the product. Specification sheets found at [www.romaluce.it](http://www.romaluce.it) are the most recent versions and supercede all other printed or electronic versions.