

Objective

High spot lumen with multi degree option which gives flexibility control beam output on same LED lamp MR16 size allow to use 25°, 40°, 55° for Indoor & outdoor. This lamp is a good solution for retrofit replacing halogen lamp are easy maintenance solution for future replacement.

Obiettivo

Lume del punto alto con opzione multi grado che offre un'uscita del fascio di controllo della flessibilità sulla stessa lampada a LED Le dimensioni MR16 consentono di utilizzare 25°, 40°, 55° per interni ed esterni. Questa lampada è una buona soluzione per il retrofit che sostituisce la lampada alogena sono facili soluzioni di manutenzione per future sostituzioni.

Description

Housing - Die cast aluminium housing for better heat dispatch

Diffuser - Polycarbonate Lens with option of multi beam angel

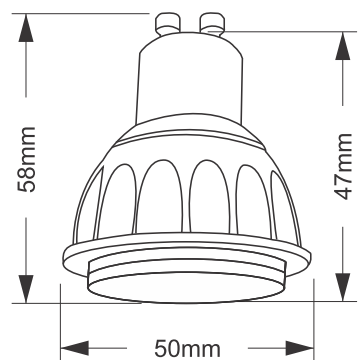
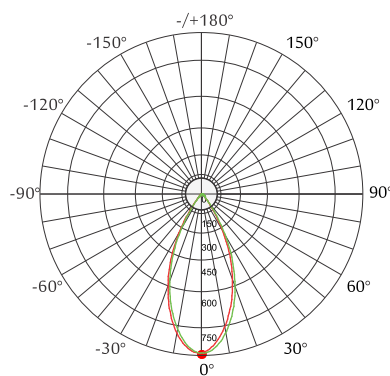
LED - reducing energy consumption with L80/B10/F10 50,000 hrs lifetime.

Standards - manufactured in accordance with tested as per PTPS IEC 62722, EN 60598-1

CODE	WATTAGE	LUMEN	HOLDER	SIZE
6094803	3W	330lm	GU10	Ø50 X 58 H
6094805	5W	550lm	GU10	Ø50 X 58 H
6094807	7W	770lm	GU10	Ø50 X 58 H



LED			
PHASE DIMMING	Flicker-free	ENERGY STAR	RoHS
55°C	Glowing Wire Test - 850°		
-25°C	IP 44	ECO	UGR <19
			SDCM 2.0/3.0
CIDET	EAC	COMPLIANCE LM-79 TM-21 (LM-80)	
PASEL ACCREDITATION	SMD	CRI >90	series wiring
RoHS	SELV	F	
CE	COMPLIANCE	U	
A++		85~265V 50/60Hz	



25°	40°	55°	2700K
			3000K
			4000K
			5000K
			6000K



LED Drivers - PHILIPS GTI MEAN WELL GTCI TRIDONIC LED Chips - BRIDGELUX CREE SHARP SAMSUNG PHILIPS CITIZEN

In a continuing effort to offer the best product possible, we reserve the right to change, without notice, specifications or materials that has recent technology will not alter the function of the product. Specification sheets found at www.romaluce.it are the most recent versions and supercede all other printed or electronic versions.