

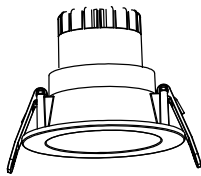


INSTALLATION MANUAL

Safety tips before starting

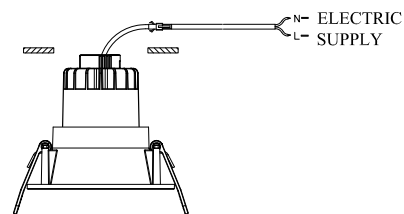
- *Let always an expert/authorized technician make the installation.
- *Before you start please shut off the power to prevent electric shock.
- *The products with energetic class II do not require the Earth / Ground connection so please do not connect the neutral if is not required. Instead, if the item is class energetic I, please do connect the neutral to Earth.
- *Consider always to leave some space for the heat sink of the led device, it need it to cool down after use
- *Do not connect any Led device without its recommended driver
- *Your individual product may vary from the design shown in the pictures
- *Do not disassemble your product
- *If any modification is made in the item or any wrong installation cause any damage to it, the warranty will be invalidated.

1. open a suitable hole into the ceiling

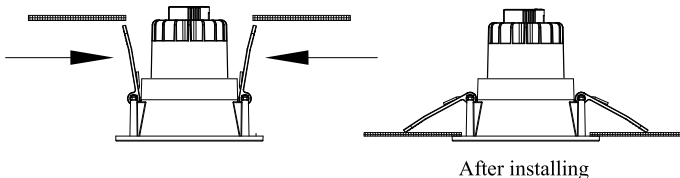


2. connect the output wire of the item to the main power (AC).

- this item connects direct to AC main* -



3. press the clips as shown from both sides and put the lamp into the ceiling hole



*NOTE:

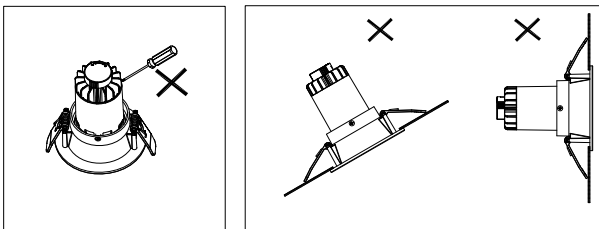
The item connects directly to the main power supply (AC 220V) cause the led driver device is built-in.

This is correctly indicated into the items and its wiring, and it is valid for the following spotlight HEDO models only:

6087506, 6087606, 6087706, 6088012, 6088110.

If you have any doubt on the installation please refer to your supplier for additional support.

Additional tips on the item's installation

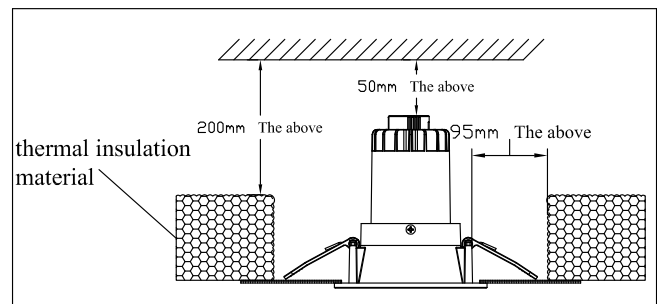


X1 - do not take apart any piece of the lamp's internal structure in at anytime

X2 - do not install in sloping ceiling

X3 - do not intall in the wall

Ideal mounting position and space distribution



Thanks for your purchase !