

Objective

Decisa can be equipped with up to three modules with a special LED system to deliver top-quality light that makes your shop and merchandise look great. The combination of multiple LED sources with high lumen packages in one luminaire creates sparkling light effects. The item offers low maintenance compared with CDM and high efficiency compared to halogen.

Obiettivo

Decisa può essere dotato di fino a tre moduli con un sistema speciale LED per fornire luce di alta qualità che rende il vostro negozio e la vostra merce splendidi all'apparenza. La combinazione di sorgenti multiple LED con pacchetti ad alti valori in lumen in un apparecchio che crea brillanti effetti luminosi. Il prodotto offre una bassa manutenzione rispetto al CDM e ad alta efficienza e rispetto all'halogeno.

Description

Housing - Die cast aluminium powder coated with choice of RAL colors

Diffuser - Tempered clear glass.

Reflector - Tiles pattern reflector made by aluminium.

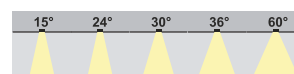
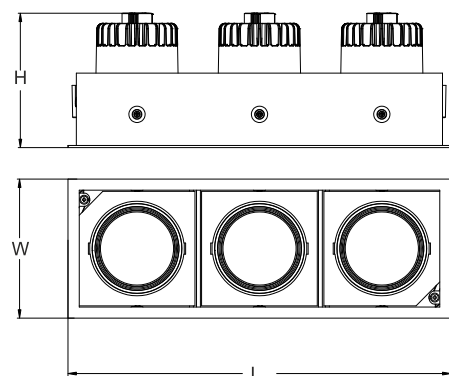
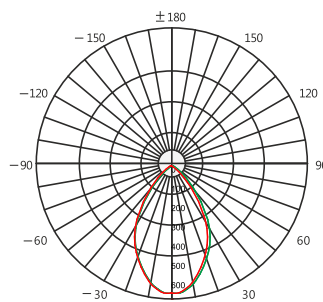
LED - reducing energy consumption with L80/B10/F10 50,000 hrs lifetime.

Standards - manufactured in accordance with tested as per PTPS IEC 62722

CODE	WATTAGE	LUMEN	SIZE mm	
53403308	3X8W	3240lm	252 X 93 X 103 H	240 X 80
53403310	3X10W	4050lm	252 X 93 X 103 H	240 X 80
53403312	3X12W	4860lm	342 X 123 X 120 H	330 X 110
53403315	3X15W	6075lm	342 X 123 X 120 H	330 X 110
53403320	3X20W	8100lm	342 X 123 X 120 H	330 X 110
53403325	3X25W	10125lm	342 X 123 X 120 H	330 X 110



PHASE DIMMING	DALI	1-10 DIMMING	
55°C	Glowing Wire Test - 850°		
-25°C	Adjusting		
IP 20	UGR <19	SDCM 2.0/3.0	
	EAC	COMPLIANCE LM-79 TM-21 (lm-80)	
PASEL ACCREDITATION	COB	CRI >90	
	SELV		series wiring
CE			U
A++	85~265V 50/60Hz		



- 2700K
- 3000K
- 4000K
- 5000K
- 6000K
- 6500K



LED Drivers - PHILIPS LED Chips - BRIDGELUX PHILIPS

In a continuing effort to offer the best product possible, we reserve the right to change, without notice, specifications or materials that in our opinion will not alter the function of the product. Specification sheets found at www.romaluce.it are the most recent versions and supercede all other printed or electronic versions.