

**Objective**

A resistant die cast aluminium housing prevents the corrosion, the possible rust, and the damages caused from hard weather conditions and the LEDs are protected by an impact-proof tempered glass lens. Thanks to the advanced technology LEDs mounted, the product is highly efficient (great performances and energy saving) and it needs very low maintenance in its long working lifespan: this light replaces metal-halide (MH) lights with comparable output and lasts 5 times longer. Easy installation. Ideal solution for facade applications.

**Obiettivo**

Una custodia in alluminio pressofuso resistente evita la corrosione, l'eventuale ruggine e i danni causati da condizioni meteorologiche avverse e i LED sono protetti da una lente in vetro temperato resistente agli urti. Grazie ai LED a tecnologia avanzata montati, il prodotto è altamente efficiente (ottime prestazioni e risparmio energetico) e richiede una manutenzione molto bassa nella sua lunga durata di vita: questa lampada sostituisce le lampade a ioduri metallici (MH) con output comparabili e dura 5 volte di più. Installazione facile. Soluzione ideale per applicazioni di facciata.

**Description**

**Housing** - Made of die cast aluminum powder coated with choice of RAL color and marine grade coating. High corrosion aluminium body with stainless steel screw in additional with rubber silicon gasket.

**Diffuser** - Optical PMMA Lens sealed and injected with silicone rubber gasket.

**LED** - reducing energy consumption with L80/B10/F10 50,000 hrs lifetime.

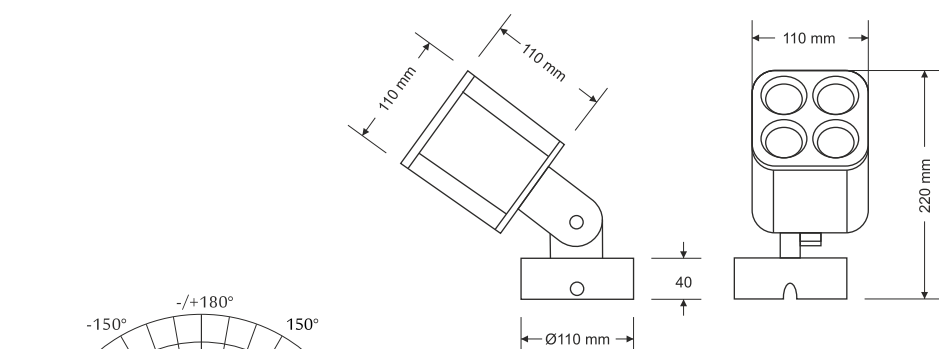
**Standards** - manufactured in accordance with EN 60598-1 and 60598-2-1

**Accessories** - Spike, tree built, surface base, honeycomb, cowl.

CODE	WATTAGE	LUMEN	SIZE mm
2153340	40W	5200lm	110 X 110 X 220 H
2153380	80W	10400lm	228 X 241 X 430 H
21533160	160W	20800lm	226 X 241 X 430 H
21533240	240W	31200lm	226 X 241 X 543 H



LED	EMERSON	ECO	
PHASE DIMMING	DALI	1-10 DIMMING	
65°C	Glowing Wire Test - 850°		
-20°C			
IP 66	IK 08	UGR <21	SDCM 2.0/3.0
CIDET	EAC	COMPLIANCE LM-79 TM-21	LM-80
PASEL ACCREDITATION	COB	CRI >90	
ROHS	SELV	F series wiring	
CE	COMPLIANCE	U	
A++	DC 24V	85-265V 50/60Hz	



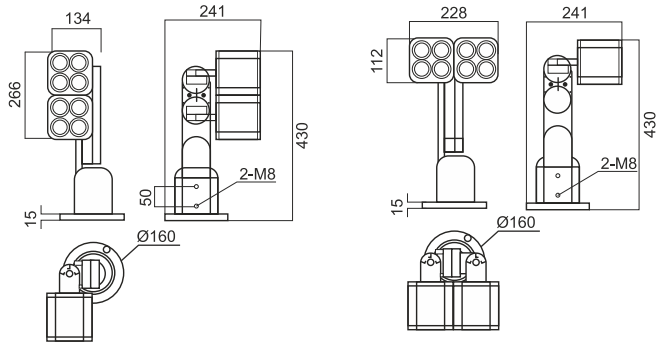
RGB  
2700K  
3000K  
4000K  
5000K  
6000K

LED Drivers - PHILIPS GTI MEAN WELL GTCI TRIDONIC LED Chips - BRIDGELUX CREE SHARP SAMSUNG PHILIPS CITIZEN

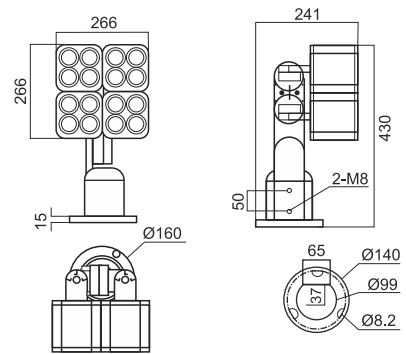
In a continuing effort to offer the best product possible, we reserve the right to change, without notice, specifications or materials that in our opinion will not alter the function of the product. Specification sheets found at www.romaluce.it are the most recent versions and supercede all other printed or electronic versions.



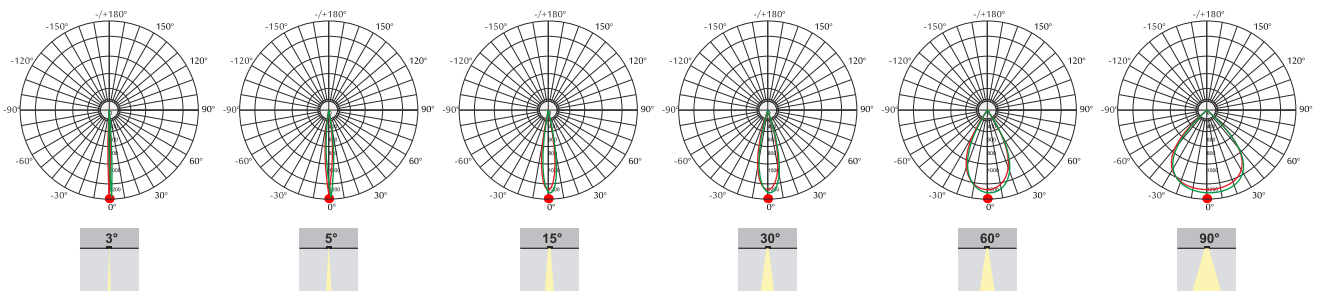
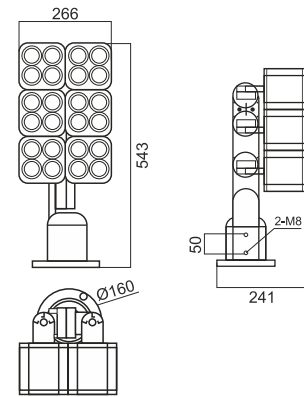
2153380



21533160



21533240



LED Drivers - PHILIPS **GTI** **MEAN WELL** **ATCI** **TRIDONIC** | LED Chips - BRIDGELUX **CREE** **SHARP** **SAMSUNG** **PHILIPS** **CITIZEN**

In a continuing effort to offer the best product possible, we reserve the right to change, without notice, specifications or materials that in our opinion will not alter the function of the product. Specification sheets found at [www.romaluce.it](http://www.romaluce.it) are the most recent versions and supercede all other printed or electronic versions.