

Objective

The best performance is guaranteed thanks to high lumen efficiency, homogeneous and bright lighting effect ensuring perfect visibility and extreme conditions endurance: Tested IP and IK rates ensure the highest resistance to impact and to harsh environment conditions. The asymmetrical flux lumen package technology even increase the performances giving the highest lumen achievement with maximum area coverage keeping the consumption under control: Green building regulation compliant. All this is now available in compact size and contemporary design to ensure a discreet integration with other architectural details in every application. Suitable for outdoor corridors, garages, paths, gates and a crowd of other exterior application and requirements. Photocell control available to ensure 24h safety of the surroundings with even increased energy savings.

Obiettivo

Le migliori prestazioni sono garantite grazie all'elevata efficienza luminosa, all'effetto di luce omogeneo e brillante che garantisce una visibilità impeccabile, e all'alta resistenza a condizioni estreme: i valori di IP e IK testati assicurano la massima resistenza agli urti e alle condizioni ambientali più difficili. La tecnologia del pacchetto con flusso luminoso asimmetrico aumenta perfino maggiormente le prestazioni, risultando nel più alto rendimento in lumen con la massima copertura d'area, mantenendo allo stesso tempo i consumi sotto controllo: conforme alla normativa sulla bioedilizia. Tutto questo è ora disponibile in dimensioni compatte e design contemporaneo per garantire una discreta integrazione con altri dettagli architettonici in ogni tipo di impiego. Adatto per corridoi esterni, garage, percorsi, cancelli e una miriade di altre applicazioni e requisiti in ambienti esterni. Disponibile il controllo con fotocellula per garantire la sicurezza dell'ambiente circostante 24h con un risparmio energetico ancora più elevato.

Description

Housing - Made of die cast aluminum powder coated corrosion protection with choice of RAL color

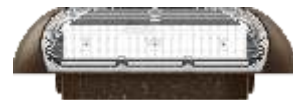
Diffuser - Polycarbonate optical lens specially for LED

LED - reducing energy consumption with L80/B10/F10 50,000 hrs lifetime.

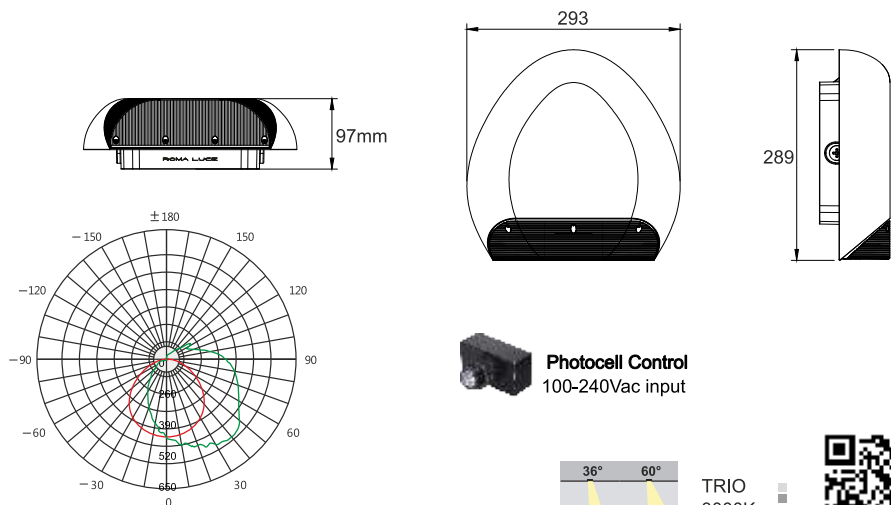
Standards - manufactured in accordance with tested as per PTPS IEC 62722

Accessories - Photocell Control (Optional)

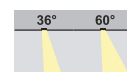
CODE	WATTAGE	LUMEN	SIZE mm
1629015	15W	2100lm	293 X 289 X 97mm
1629025	25W	3500lm	293 X 289 X 97mm
1629035	35W	4900lm	293 X 289 X 97mm
1629045	45W	6300lm	293 X 289 X 97mm
1629055	55W	7700lm	293 X 289 X 97mm



LED	ENERGY STAR	ECO	
65°C	Glowing Wire Test - 850°		
-25°C			
IP 66	IK 10	UGR <21	SDCM 2.0/3.0
CIDET	EAC	COMPLIANCE LM-79 TM-21	LM-80
PASEL ACCREDITATION	SMD	CRI >90	
RoHS	SELV	F	series wiring
CE	COMPLIANCE		
A++	185-265V	50/60Hz	



Photocell Control
100-240Vac input



TRIO
3000K
4000K
5000K



LED Drivers - PHILIPS GTI, MEAN WELL, GTCI TRIDONIC, LED Chips - BRIDGELUX, CREE, SHARP, SAMSUNG, PHILIPS, CITIZEN

In a continuing effort to offer the best product possible, we reserve the right to change, without notice, specifications or materials that in our opinion will not alter the function of the product. Specification sheets found at www.romaluce.it are the most recent versions and supercede all other printed or electronic versions.