

Objective

Whit the same idea of the similar item, Calabria, our Veneto is equipped with a special case which helps a lot all the operations of installation and maintenance, but also represent a protection for the item, making it even more long lasting. The LED source is a warranty for the high luminous flux and the uniformity of the pleasant emitted light beam.

Obiettivo

Con la stessa idea del prodotto simile, Calabria, il nostro Veneto è dotato di un involucro speciale che aiuta molto tutte le operazioni di installazione e manutenzione, ma rappresenta anche una protezione per l'articolo, rendendolo ancora più durevole. La sorgente LED è una garanzia per l'elevato flusso luminoso e l'uniformità del fascio di picevole luce emessa.

Description

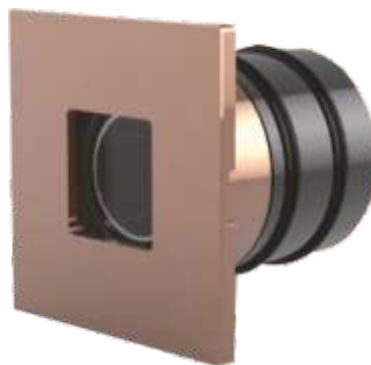
Housing - Made of die cast aluminium with anodized aluminum trim cover
High corrosion resistant aluminium with silicon gasket rubber with option of powder coating RAL finish.

Diffuser - Tempered Glass diffuser specially for LED with optical PMMA lens.

LED - reducing energy consumption with L80/B10/F10 50,000 hrs lifetime.

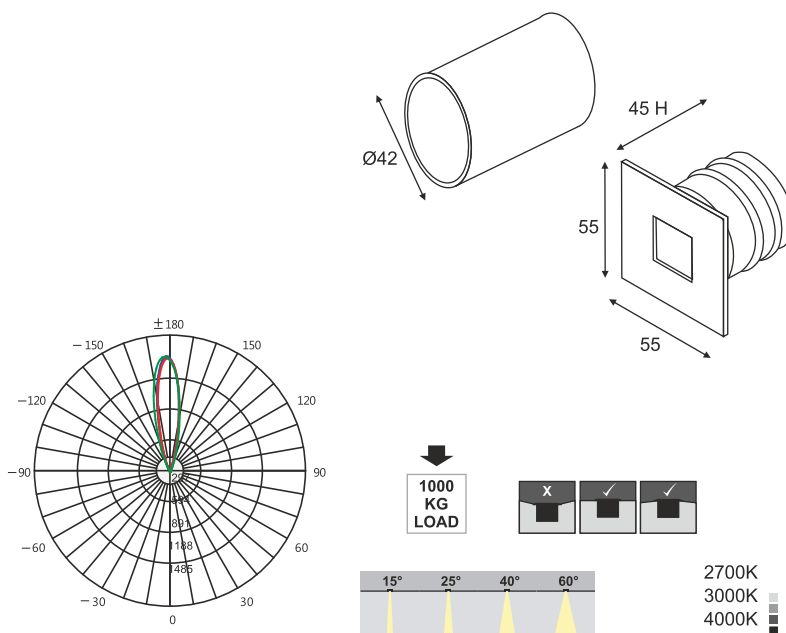
Standards - manufactured in accordance with EN 60598-1 and 60598-2-1

Accessories- Recessed PVC box.



CODE	WATTAGE	LUMEN	SIZE mm	
1101602	2.6W	273lm	55 X 55 X 45 H	Ø42

12VDC Remote		
PHASE DIMMING	DALI	0-10 DIMMING
65°C	Glowing Wire Test - 850°	
-20°C		
IP 67	IK 09	UGR <21
SDCM 2.0/3.0		
		COMPLIANCE LM-79 TM-21 (lm-80)
PASEL ACCREDITATION	COB	CRI >90
	SELV	series wiring
	DC 24V	700mA CC



2700K
3000K
4000K
5000K
6000K



LED Drivers - PHILIPS TRIDONIC | LED Chips - BRIDGELUX PHILIPS

In a continuing effort to offer the best product possible, we reserve the right to change, without notice, specifications or materials that in our opinion will not alter the function of the product. Specification sheets found at www.romaluce.it are the most recent versions and supercede all other printed or electronic versions.