

Objective

Shielded LED bollard with wide beam light distribution for a high degree of illuminance on the ground surface. A reflector directs the light directly onto the surface to be illuminated. Robust and striking luminaries that can divide up and structure outdoor spaces. They have an orienting, guiding and demarcating function. For the illumination of squares, entrance areas and driveways, an ideal selection for area has squares design or rectangular path way very iconic and fabulous design can match the idea of totally modern hard or soft Scape with high IP we can insure the durability and with latest led technology we are sure about power consumption saving comparing with traditional HPS ,HID poles.

Obiettivo

Dissuasore a LED schermato con distribuzione della luce a fascio largo per un elevato grado di illuminamento della superficie del terreno. Un riflettore dirige la luce direttamente sulla superficie da illuminare. Lampade robuste e sorprendenti che possono dividere e strutturare gli spazi esterni. Hanno una funzione di orientamento, guida e delimitazione. Per l'illuminazione di piazze, aree di ingresso e passi carrai, una selezione ideale per area ha design di piazze o percorsi rettangolari. Il design molto iconico e favoloso può abbinare l'idea di Scape duro o morbido totalmente moderno con un alto IP che possiamo assicurare la durabilità e con gli ultimi tecnologia led siamo sicuri del risparmio energetico rispetto ai tradizionali poli HPS, HID.

Description

Housing - Die cast aluminum body with choice of RAL colors.

Diffuser - Clear tempered glass.

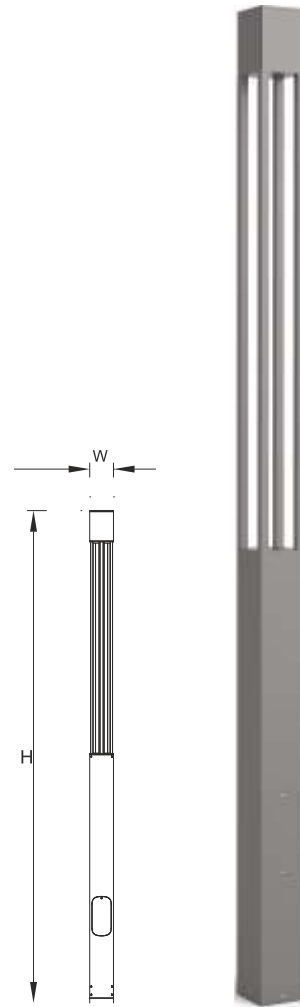
Reflector -Anodized aluminum reflector.

LED - reducing energy consumption with L80/B10/F10 50,000 hrs lifetime.

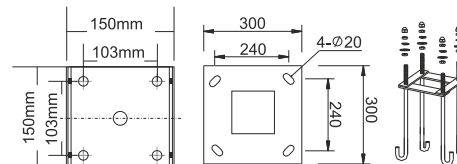
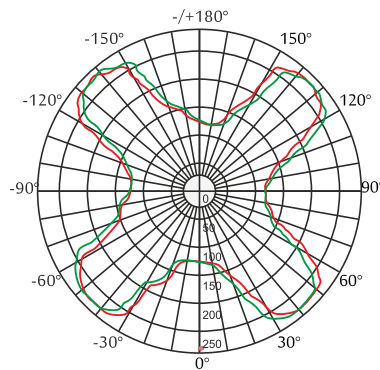
Standards - manufactured in accordance with EN 60598-1 and 60598-2-1

Height can be customized upon request

CODE	WATTAGE	LUMEN	SIZE mm
1334020	20W	2500lm	150 X 150 X 1500H
1334025	25W	3125lm	150 X 150 X 2000H
1334030	30W	3750lm	150 X 150 X 2500H
1334035	35W	4375lm	150 X 150 X 3000H
1334043	43W	5375lm	200 X 200 X 4500H
1334053	53W	6625lm	200 X 200 X 4500H



PHASE DIMMING		DALI		1-10 DIMMING		LED	
65°C		-20°C		Glowing Wire Test - 850°			
IP 66		IK 08		UGR <22		SDCM 2.0/3.0	
EAC		COMPLIANCE LM-79 TM-21 LM-80					
PASEL ACCREDITATION		COB		CRI >90			
ROHS		SELV		F		ECO	
CE		COMPLIANCE		U			
A++		220~265V 50/60Hz					



- 2700K
- 3000K
- 4000K
- 5000K
- 6000K
- 6500K



LED Drivers - PHILIPS GTI | MWM | GTCI TRIDONIC | LED Chips - BRIDGELUX | CREE | SHARP | SAMSUNG | PHILIPS | CITIZEN

In a continuing effort to offer the best product possible, we reserve the right to change, without notice, specifications or materials that in our opinion will not alter the function of the product. Specification sheets found at www.romaluce.it are the most recent versions and supercede all other printed or electronic versions.