

Objective

RANA extensive options for the individualization of Rana series products as well as support in the development of special luminaires. In order to match RANA even more efficiently to your project requirements, further variants are available on request in addition to the standard series with Light distributions: narrow spot, spot, flood, wide flood, extra wide flood, oval flood or wall-wash you have wide application in one product designed for facade applications Corrosion-resistant cast aluminium can assure the durability with special heat dispatch to insure LED life time

Obiettivo

Ampie opzioni RANA per l'individualizzazione dei prodotti della serie Rana e supporto nello sviluppo di apparecchi speciali. Per abbinare Rana in modo ancora più efficiente alle esigenze del progetto, sono disponibili su richiesta ulteriori varianti oltre alla serie standard con distribuzioni Light: spot stretto, spot, flood, wide flood, extra wide flood, oval flood o wall-wash you avere un'ampia applicazione in un unico prodotto progettato per applicazioni di facciata L'alluminio pressofuso resistente alla corrosione può garantire la durabilità con speciale invio di calore per assicurare la durata del LED

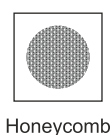
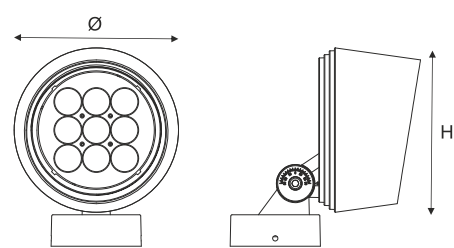
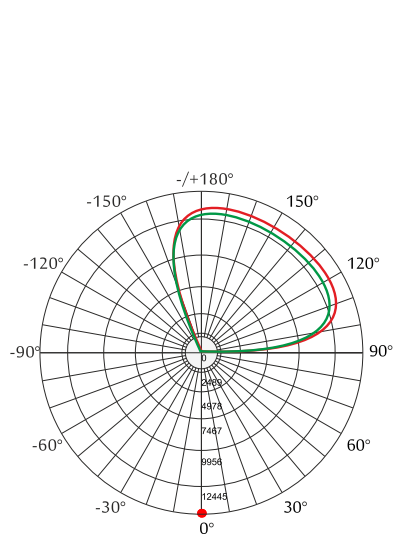
Description

- Housing** - Die cast corrosion-resistance aluminium solvent free powder coated with choice of RAL colors.
- Diffuser** - Tempered clear glass special for LED with free glare optical glass lens.
- LED** - reducing energy consumption with L80/B10/F10 50,000 hrs lifetime.
- Standards** - manufactured in accordance with tested as per PTPS IEC 62722.
- Accessories** - Tree belt, spike, pole kit, honeycombs.

CODE	WATTAGE	LUMEN	SIZE mm
2145015	15W	1650lm	Ø150 X 224 X 193 H
2145020	20W	2200lm	Ø150 X 224 X 193 H
2145030	30W	3300lm	Ø180 X 229 X 223 H
2145045	45W	4950lm	Ø210 X 243 X 253 H
2145060	60W	6600lm	Ø260 X 275 X 303 H
2145075	75W	8250lm	Ø260 X 275 X 303 H



LED	EMERSON	ECO	
PHASE DIMMING	DALI	1-10 DIMMING	
65°C	Glowing Wire	Test - 850°	
-20°C			
IP 66	IK 09	UGR <21	SDCM 2.0/3.0
CIDET	EAC	COMPLIANCE LM-79 TM-21 (LF-80)	
PASEL ACCREDITATION	SMD	CRI >90	
ROHS	SELV	F	series wiring
CE	COMPLIANCE	U	
A++		220-240V 50/60Hz	



3.5°	12°	20°	25°	2700K
				3000K
				4000K
				5000K
30°	60°	5X20°	10X70°	6000K
				6500K



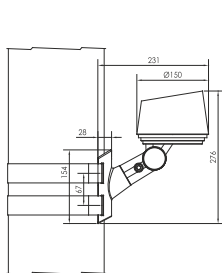
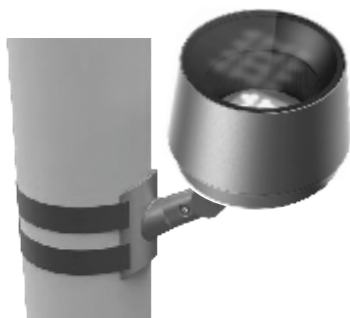
LED Drivers - PHILIPS GTI | MEAN WELL | GTCI TRIDONIC | LED Chips - BRIDGELUX | CREE | SHARP | SAMSUNG | PHILIPS | CITIZEN

In a continuing effort to offer the best product possible, we reserve the right to change, without notice, specifications or materials that in our opinion will not alter the function of the product. Specification sheets found at www.romaluce.it are the most recent versions and supercede all other printed or electronic versions.

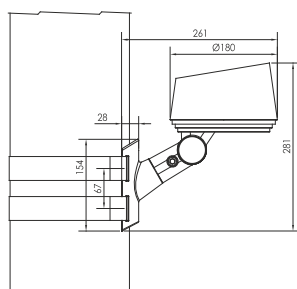
INSTALLATION ACCESSORIES



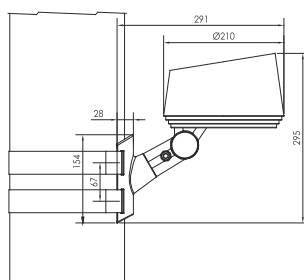
Tree Belt



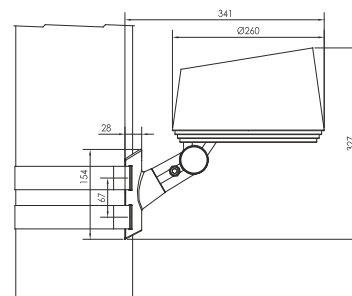
2145015
2145020



2145030



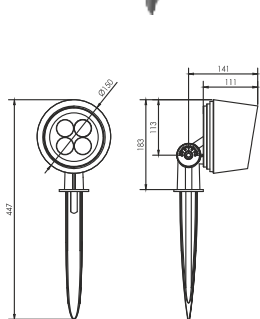
2145045



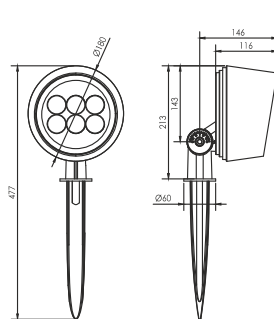
2145060
2145075



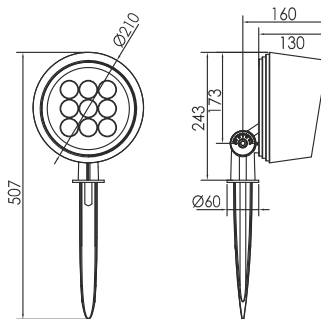
Spike



2145015
2145020

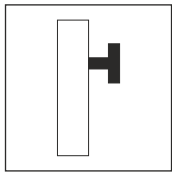


2145030

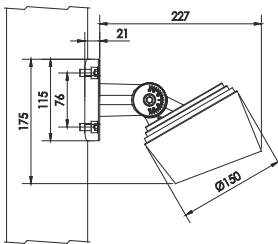


2145045

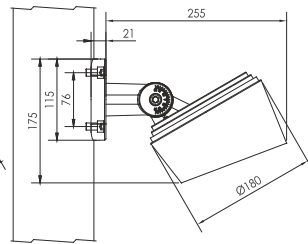
INSTALLATION ACCESSORIES



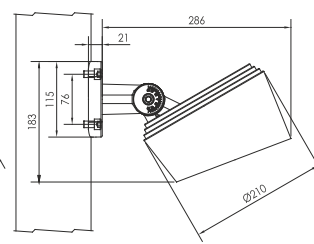
Pole Kit



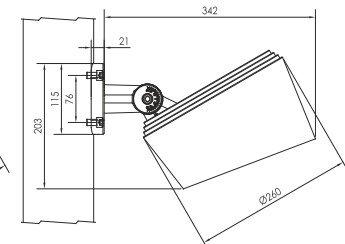
2145015
2145020



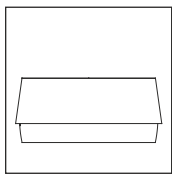
2145030



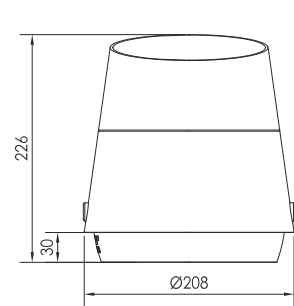
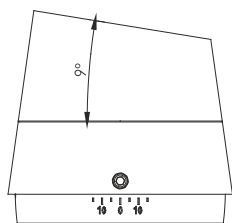
2145045



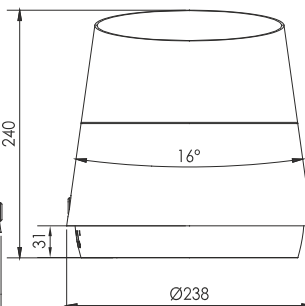
2145060
2145075



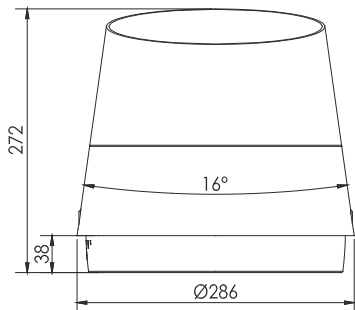
Surface Base



2145030



2145045



2145060
2145075