

Objective

Chose Piemonte LED, in-ground luminaire available in round or square shape, to decor your outdoors. A clean beam of energy-efficient LED light is available in a package characterized by easy maintenance. From die-cast aluminium body, this fixture is designed for years of corrosion-resistant use. Intended for installation in soil or gravel. The LED system provides very convenient quality / price report, as it is warranty of energy savings up to 90% compared to the old luminaires.

Obiettivo

Scegli Piemonte LED, la luminaria incassata a pavimento disponibile in forma tonda o quadrata, per decorare i tuoi esterni. Un fascio pulito di luce LED ad alta efficienza è disponibile in un pacchetto caratterizzato da una facile manutenzione. Dal corpo in alluminio pressofuso, questo apparecchio è stato progettato per anni di utilizzo resistente alla corrosione. Destinato all'installazione in terra o ghiaia. Il sistema LED offre un rapporto qualità / prezzo molto conveniente, in quanto garantisce un risparmio energetico fino al 90% rispetto ai vecchi apparecchi.

Description

Housing - Made of high corrosion die cast aluminum with high corrosion stainless steel 316 trim cover sealed with silicon gasket rubber.

Diffuser - Tempered Glass diffuser specially for LED

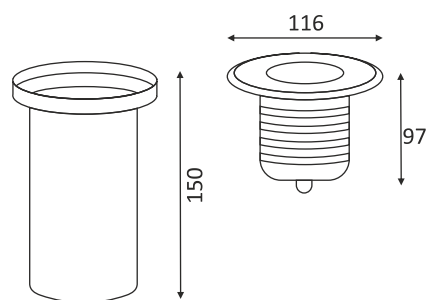
Reflection - Anodized aluminum reflector.

LED - reducing energy consumption with L80/B10/F10 50,000 hrs lifetime.

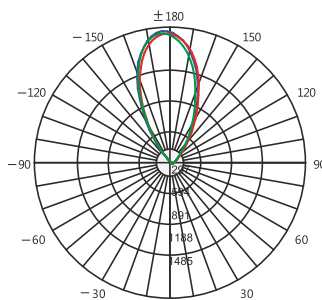
Standards - manufactured in accordance with EN 60598-1 and 60598-2-1

Accessories- Honeycomb, recessed aluminum box.

| CODE | WATTAGE | LUMEN | SIZE mm | |
|---------|---------|--------|----------|------|
| 1102306 | 6.7W | 804lm | Ø116X97H | Ø102 |
| 1102309 | 9.2W | 1104lm | Ø116X97H | Ø102 |



| | | |
|---------------------|--------------------------|--------------------------------|
| | | |
| PHASE DIMMING | DALI | 1-10 DIMMING |
| | Glowing Wire Test - 850° | |
| IP 66 | IK 10 | UGR <21 |
| | | SDCM 2.0/3.0 |
| | | COMPLIANCE LM-79 TM-21 (TM-80) |
| PASEL ACCREDITATION | COB | CRI >90 |
| | SELV | series wiring |
| | | |
| A++ | DC 24V | 85-265V 50/60Hz |



1900 KG LOAD

Honeycomb

2700K
3000K
4000K
5000K
6000K

24° 38° 60°

LED Drivers - PHILIPS TRIDONIC | LED Chips - BRIDGELUX PHILIPS Micro HumanTech

In a continuing effort to offer the best product possible, we reserve the right to change, without notice, specifications or materials that in our opinion will not alter the function of the product. Specification sheets found at www.romaluce.it are the most recent versions and supercede all other printed or electronic versions.