

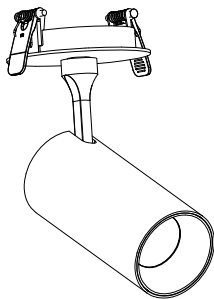


INSTALLATION MANUAL

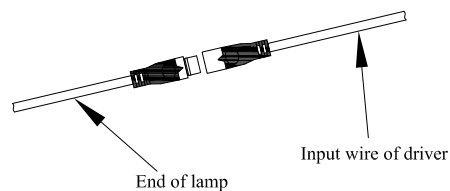
Safety tips before starting

- *Let always an expert/authorized technician make the installation.
- *Before you start please shut off the power to prevent electric shock.
- *The products with energetic class II do not require the Earth / Ground connection so please do not connect the neutral if is not required. Instead, if the item is class energetic I, please do connect the neutral to Earth.
- *Consider always to leave some space for the heat sink of the led device, it need it to cool down after use
- *Do not connect any Led device without its recommended driver
- *Your individual product may vary from the design shown in the pictures
- *Do not disassemble your product
- *If any modification is made in the item or any wrong installation cause any damage to it, the warranty will be invalidated.

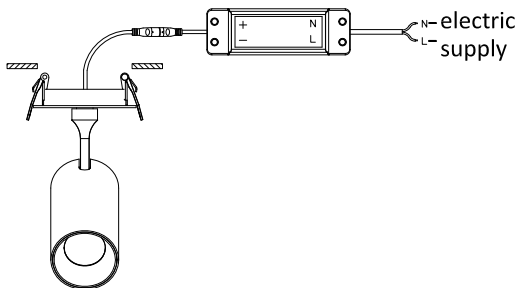
1. open a suitable hole into the ceiling



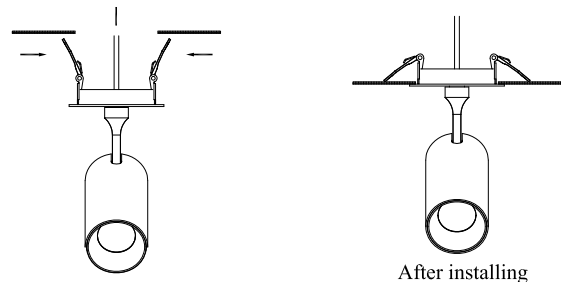
2. connect the wire of the lamp to the input wire of the driver. Note: fix it tight, to prevent from fall off or heat



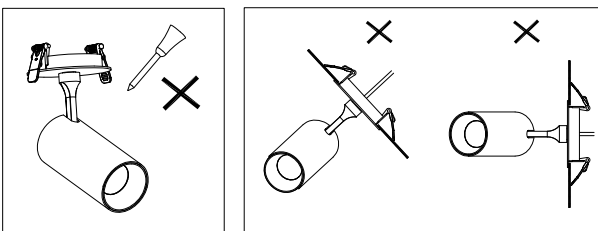
3. connect the output wire of the driver to the main power (AC)



4. press the clips as shown from both sides and put the lamp into the ceiling hole

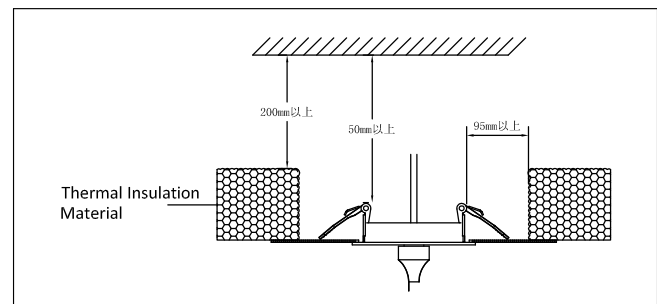


Additional tips on the item's installation



- X1 - do not take apart any piece of the lamp's internal structure in at anytime
- X2 - do not install in sloping ceiling
- X3 - do not intall in the wall

Ideal mounting position and space distribution



Thanks for your purchase !