

Objective

Our Ferma modular light system is an affordable, reliable and flexible solution designed to deliver both general and accent lighting in retail environments. Driven by electronic constant current driver, our trendy Ferma combines an attractive visual appearance with ease of installation and maintenance. A robust housing and high-quality components ensure the products long lifetime.

Obiettivo

Il nostro sistema di illuminazione modulare Ferma è una soluzione economica, affidabile e flessibile progettata per fornire illuminazione generale e d'accento negli ambienti commerciali. Guidato da un driver elettronico a corrente costante, il nostro trendy Ferma combina un aspetto estetico accattivante con facilità di installazione e manutenzione. Un alloggiamento robusto e componenti di alta qualità garantiscono ai prodotti una lunga durata.

Description

Housing - Die cast aluminium powder coated with choice of RAL colors

Diffuser - Tempered clear glass.

Reflector - Tiles pattern reflector made by aluminium.

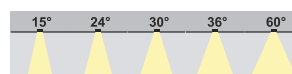
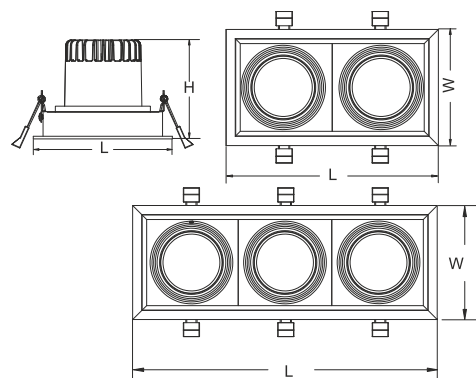
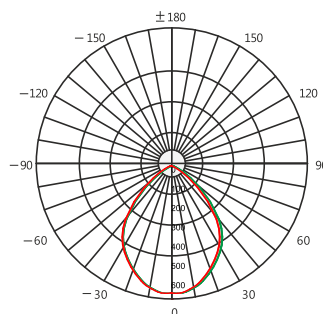
LED - reducing energy consumption with L80/B10/F10 50,000 hrs lifetime.

Standards - manufactured in accordance with tested as per PTPS IEC 62722

CODE	WATTAGE	LUMEN	SIZE mm	Ø
53402112	12W	1620lm	135 X 135 X 97 H	125 X 125
53402115	15W	2025lm	135 X 135 X 97 H	125 X 125
53402120	20W	2700lm	135 X 135 X 97 H	125 X 125
53402212	2X12W	3240lm	245 X 135 X 97 H	230 X 125
53402215	2X15W	4050lm	245 X 135 X 97 H	230 X 125
53402220	2X20W	5400lm	245 X 135 X 97 H	230 X 125
53402312	3X12W	4860lm	355 X 135 X 97 H	340 X 125
53402315	3X15W	6075lm	355 X 135 X 97 H	340 X 125
53402320	3X20W	8100lm	355 X 135 X 97 H	340 X 125



LED	ENERGY STAR	ECO	IP 40
PHASE DIMMING	DALI	1-10 DIMMING	Adjusting
55°C	Glowing Wire	Test - 850°	-25°C
IP 40	Adjusting	UGR <19	SDCM 2.0/3.0
CIDET	EAC	COMPLIANCE LM-79 TM-21	LM-80
PASEL ACCREDITATION	COB	CRI >90	series wiring
RoHS	SELV	F	series wiring
CE	COMPLIANCE	U	
A++	85-265V	50/60Hz	



- 2700K
- 3000K
- 4000K
- 5000K
- 6000K
- 6500K



LED Drivers - PHILIPS GTCI TRIDONIC LED Chips - BRIDGELUX CREE SHARP SAMSUNG PHILIPS CITIZEN

In a continuing effort to offer the best product possible, we reserve the right to change, without notice, specifications or materials that in our opinion will not alter the function of the product. Specification sheets found at www.romaluce.it are the most recent versions and supercede all other printed or electronic versions.