

Objective

Simple and classy design, with the choice of opal or clear diffuser to provide brighter or softer light effect. The light source is a high efficiency LED chip in both the options and the equipped system is able to deliver excellent luminous flux result in a pleasant, uniform and comfortable light beam. Suitable for little street, squares, gardens and parks, is available in different heights.

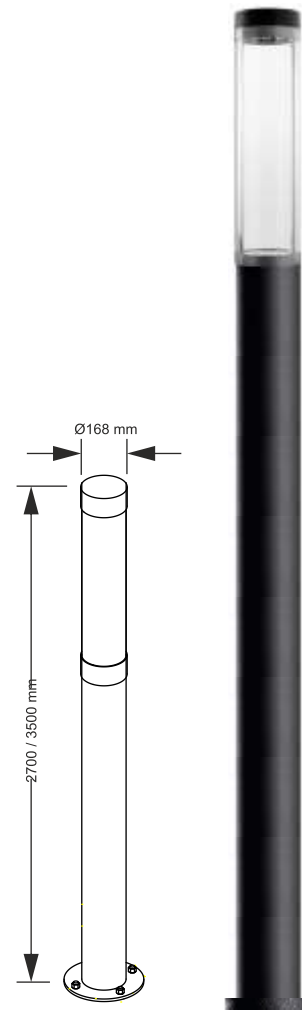
Obiettivo

Design semplice e di classe, con la scelta di diffusore opale o trasparente per fornire un effetto luminoso più brillante o più morbido. La sorgente luminosa è un chip LED ad alta efficienza in entrambe le opzioni e il sistema montato è in grado di fornire un flusso luminoso eccellente in un fascio di luce piacevole, uniforme e confortevole. Adatto per stradine, piazze, giardini e parchi, è disponibile in diverse altezze.

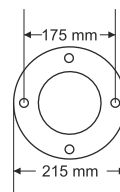
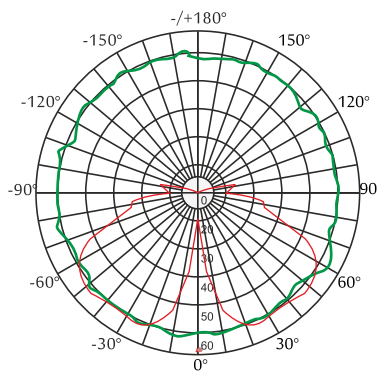
Description

- Housing** - High purity extruded aluminium powder coated with choice of RAL colors
 - Diffuser** - Clear or opal PMMA polycarbonate diffuser.
 - LED** - reducing energy consumption with L80/B10/F10 50,000 hrs lifetime.
 - Standards** - manufactured in accordance with tested as per PTPS IEC 62722
- Height can be customized upon request

CODE	WATTAGE	LUMEN	SIZE mm
1334730	30W	3450lm	Ø168 X 2700/3500 H
1334740	40W	4600lm	Ø168 X 2700/3500 H
1334750	50W	5750lm	Ø168 X 2700/3500 H



PHASE DIMMING		DALI		1-10 DIMMING		LED		ENERGY STAR	
IP 66		IK 08		UGR <22		SDCM 2.0/3.0		Glowing Wire Test - 850°	
EAC		COMPLIANCE		LM-79 TM-21		LM-80			
PASEL ACCREDITATION		COB		CRI >90					
ROHS		SELV		F		ECO			
CE		COMPLIANCE		RECYCLE		U			
A++		220~265V		50/60Hz					



TRIO
3000K
4000K
6000K



LED Drivers - PHILIPS GTCI MEAN WELL GTCI TRIDONIC LED Chips - BRIDGELUX CREE SHARP SAMSUNG PHILIPS CITIZEN

In a continuing effort to offer the best product possible, we reserve the right to change, without notice, specifications or materials that in our opinion will not alter the function of the product. Specification sheets found at www.romaluce.it are the most recent versions and supercede all other printed or electronic versions.