

Objective

The LED source promise high performances while saving energy, in the respect of all the modern norms and the human health comfort and safety. The high quality of the raw materials guarantees the long working lifetime and the hard weather conditions resistance. A big family of floodlight available in many different designs and a really wide choice of high wattage and details. The light is bright, uniform and intense but comfortable.

Obiettivo

La sorgente LED promette prestazioni elevate risparmiando energia, nel rispetto di tutte le norme moderne e del comfort e della sicurezza della salute umana. L'alta qualità delle materie prime garantisce la lunga durata di esercizio e la resistenza alle intemperie. Una grande famiglia di proiettori disponibili in molti design diversi e una vasta scelta di potenza e dettagli. La luce è brillante, uniforme e intensa ma confortevole, con bassi livelli di abbagliamento.

Description

Housing - Die cast aluminium with cover cowl shade with silicon rubber gasket powder coated with choice of RAL colors.

Diffuser - Tempered transparent glass with optical PMMA Polycarbonate lens.

LED - reducing energy consumption with L80/B10/F10 50,000 hrs lifetime.

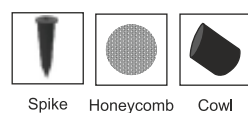
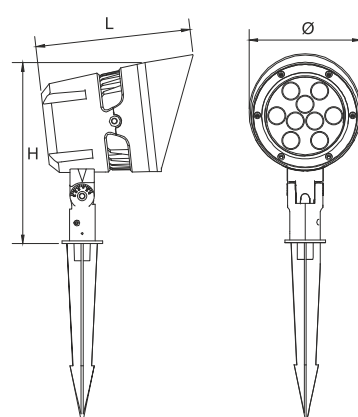
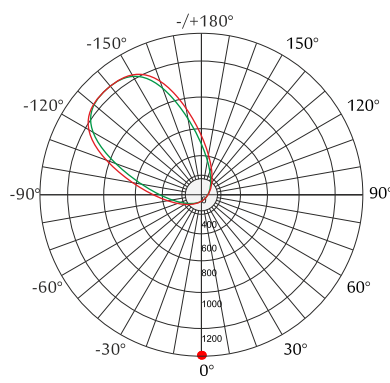
Standards - manufactured in accordance with tested as per PTPS IEC 62722.

Accessories - Cowl, Spike, Honeycomb

CODE	WATTAGE	LUMEN	SIZE mm
2141403	3W	330lm	Ø85 X 128 X 318H
2141406	6W	660lm	Ø85 X 128 X 318H
2141410	10W	1100lm	Ø125 X 163 X 450H
2141420	20W	2200lm	Ø160 X 195 X 485H
2141430	30W	3300lm	Ø160 X 220 X 485H



LED	EMERSON	ECO	
PHASE DIMMING	DALI	1-10 DIMMING	
65°C	Glowing Wire	Test - 850°	
-20°C			
IP 66	IK 09	UGR <21	SDCM 2.0/3.0
CIDET	EAC	COMPLIANCE LM-79 TM-21 LM-80	
PASEL ACCREDITATION	SMD	CRI >90	
ROHS	SELV	F	series wiring
CE	COMPLIANCE	U	
A++	85-265V 50/60Hz		



5°	12°	20°	30°	2700K
				3000K
				4000K
45°	60°	15X30°	10X60°	5000K
				6000K
				6500K



LED Drivers - PHILIPS GTI | GTCI TRIDONIC | LED Chips - BRIDGELUX, CREE, SHARP, SAMSUNG, PHILIPS, CITIZEN

In a continuing effort to offer the best product possible, we reserve the right to change, without notice, specifications or materials that in our opinion will not alter the function of the product. Specification sheets found at www.romaluce.it are the most recent versions and supercede all other printed or electronic versions.