

Objective

The item has the classic design of a bollard light, available with little differences in the top shape to satisfy the details lovers. The light source is an LED high efficiency system, which ensures high performances while saving energy. All the items have features like easy installation, very low maintenance needs and full safety for electrical systems and people. Easy hidden installation.

Obiettivo

L'articolo ha il design classico di un paletto luminoso, disponibile con piccole differenze nella forma superiore per soddisfare gli amanti dei dettagli. La sorgente luminosa è un sistema LED ad alta efficienza, che garantisce elevate prestazioni risparmiando energia. Tutti gli articoli hanno caratteristiche come facilità di installazione, esigenze di manutenzione molto basse e piena sicurezza per gli impianti elettrici e le persone. Facile installazione nascosta.

Description

Housing - Die cast aluminium powder coated with choice of RAL colors

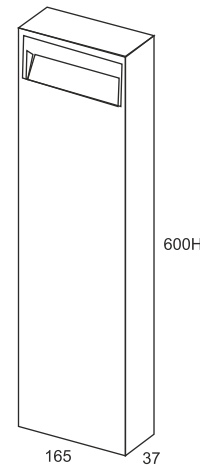
Diffuser - Tempered glass diffuser.

Reflector - Indirect aluminum reflector.

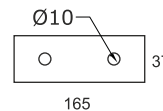
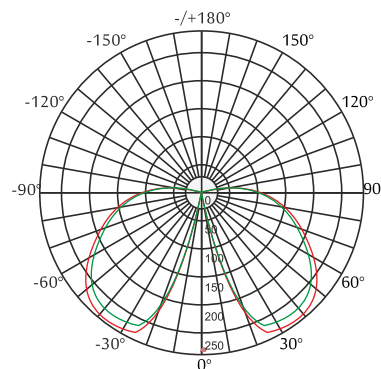
LED - reducing energy consumption with L80/B10/F10 50,000 hrs lifetime.

Standards - manufactured in accordance with tested as per PTPS IEC 62722

CODE	WATTAGE	LUMEN	SIZE mm
1340105	5W	600lm	82 X 37 X 300H
1340110	10W	1200lm	165 X 37 X 600H
1340210	10W	1200lm	82 X 70 X 300H
1340220	20W	2400lm	165 X 70 X 600H



LED	ENERGY STAR	ECO
PHASE DIMMING	DALI	1-10 DIMMING
65°C	Glowing Wire Test - 850°	
-20°C	IP 65	IK 08
UGR <22	SDCM 2.0/3.0	COMPLIANCE LM-79 TM-21 LM-80
CIDET	EAC	
PASEL ACCREDITATION	SMD	CRI >90
SELV	series wiring	
RoHS		
CE	COMPLIANCE	U
A++	220~265V	50/60Hz



2700K	k
3000K	
4000K	
5000K	
6000K	
6500K	



LED Drivers - PHILIPS GTI MEAN WELL GTCI TRIDONIC LED Chips - BRIDGELUX CREE SHARP SAMSUNG PHILIPS CITIZEN

In a continuing effort to offer the best product possible, we reserve the right to change, without notice, specifications or materials that in our opinion will not alter the function of the product. Specification sheets found at www.romaluce.it are the most recent versions and supercede all other printed or electronic versions.