

Objective

The name from the roman columns in the old town, because the design of this product is vintage, but the style has no age. Available in many height and wattage options, this luminaire is equipped with the last generation LED technology to ensure high performances in full safety and low consumption. Ideal solution for area need vintage designed pole with architect cnc perforated sheets of galvaniz steel.

Obiettivo

Il nome dalle colonne romane nella città vecchia, perché il design di questo prodotto è vintage, ma lo stile non ha età. Disponibile in molte altezze e opzioni di wattaggio, questo apparecchio è dotato della tecnologia LED di ultima generazione per garantire prestazioni elevate in piena sicurezza e bassi consumi. La soluzione ideale per le esigenze dell'area richiede un palo dal design vintage con lamiere forate in acciaio zincato dell'architetto.

Description

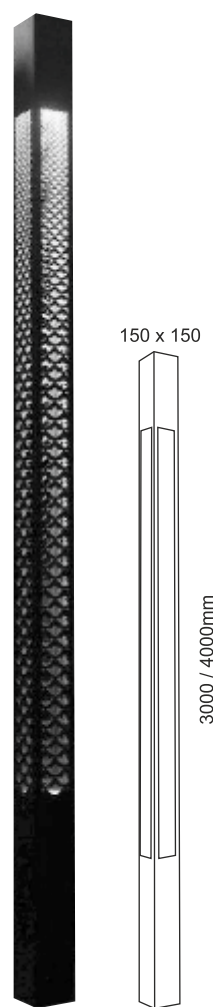
Housing - Hot dip galvanized iron steel perforated design sheet to give the architectural effect powder coated with choice of RAL colors.

Diffuser - Tempered clear glass with silicon rubber gasket.

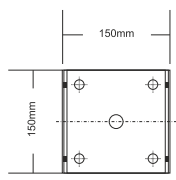
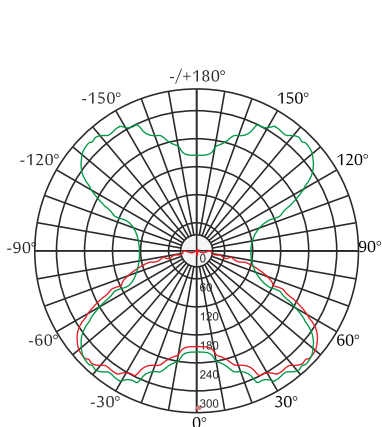
LED - reducing energy consumption with L80/B10/F10 50,000 hrs lifetime.

Standards - manufactured in accordance with EN 60598-1 and 60598-2-1

CODE	WATTAGE	LUMEN	SIZE mm
1341330	30W	2700lm	150 X 150 X 3000mm
1341440	40W	3600lm	150 X 150 X 4000mm



LED	ENERGY STAR	ECO
PHASE DIMMING	DALI	1-10 DIMMING
65°C	Glowing Wire Test - 850°	
-20°C		
IP 66	IK 08	UGR <22
SDCM 2.0/3.0		
CIDET	EAC	COMPLIANCE LM-79 TM-21 LM-80
PASEL ACCREDITATION	COB	CRI >90
RoHS	SELV	series wiring
CE	COMPLIANCE	U
A++		220~265V 50/60Hz



360°

- 2700K
- 3000K
- 4000K
- 5000K
- 6000K
- 6500K



LED Drivers - PHILIPS GTCI MEAN WELL GTCI TRIDONIC LED Chips - BRIDGELUX CREE SHARP SAMSUNG PHILIPS CITIZEN

In a continuing effort to offer the best product possible, we reserve the right to change, without notice, specifications or materials that in our opinion will not alter the function of the product. Specification sheets found at www.romaluce.it are the most recent versions and supercede all other printed or electronic versions.