



## \*\*\*INSTALLATION MANUAL\*\*\* MAGNETE, PROFILO

### Safety tips before starting

- \*Let always an expert/authorized technician make the installation.
- \*Before you start please shut off the power to prevent electric shock.
- \*The products with energetic class II do not require the Earth / Ground connection so please do not connect the neutral if is not required. Instead, if the item is class energetic I, please do connect the neutral to Earth.
- \*Consider always to leave some space for the heat sink of the led device, it need it to cool down after use
- \*Do not connect any Led device without its recommended driver
- \*Your individual product may vary from the design shown in the pictures
- \*Do not disassemble your product
- \*If any modification is made in the item or any wrong installation cause any damage to it, the warranty will be invalidated.

### Profilo Magnete installation in the ceiling

		<p>SUSPENDED INSTALLATION</p>	<p>Measure the position/ distance of the suspension cables and accordingly drill the holes into the ceiling. With power off, fix the connection of the magnet profile (see Profilo magnete wiring installation). Fix the suspension cords to the ceiling.</p>	
		<p>SURFACE INSTALLATION</p>	<p>Measure the position/ distance of the mounting brackets and accordingly drill the holes into the ceiling. With power off, fix the connection of the magnet profile (see Profilo magnete wiring installation). Fix the brackets to the ceiling and the item to them.</p>	
		<p>RECESSED INSTALLATION</p>	<p>Cut a hole into the ceiling as per the profile size cutout. With power off, fix the connection of the magnet profile (see Profilo magnete wiring installation). Turn back the mounting clips while inserting the profile into the cut hole and release them to secure the position.</p>	
		<p>TRIMLESS INSTALLATION</p>	<p>Cut a hole into the ceiling as per the profile size cutout. With power off, fix the connection of the magnet profile (see Profilo magnete wiring installation). Insert the profile in the hole tilting it 45° to make it fit and then straighten it into position laying down the side wings of the profiles inside the ceiling structure.</p>	

Thanks for your purchase !

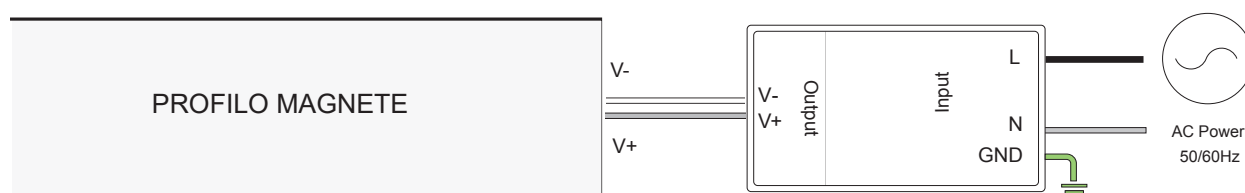


# \*\*\*INSTALLATION MANUAL\*\*\* MAGNETE, PROFILO

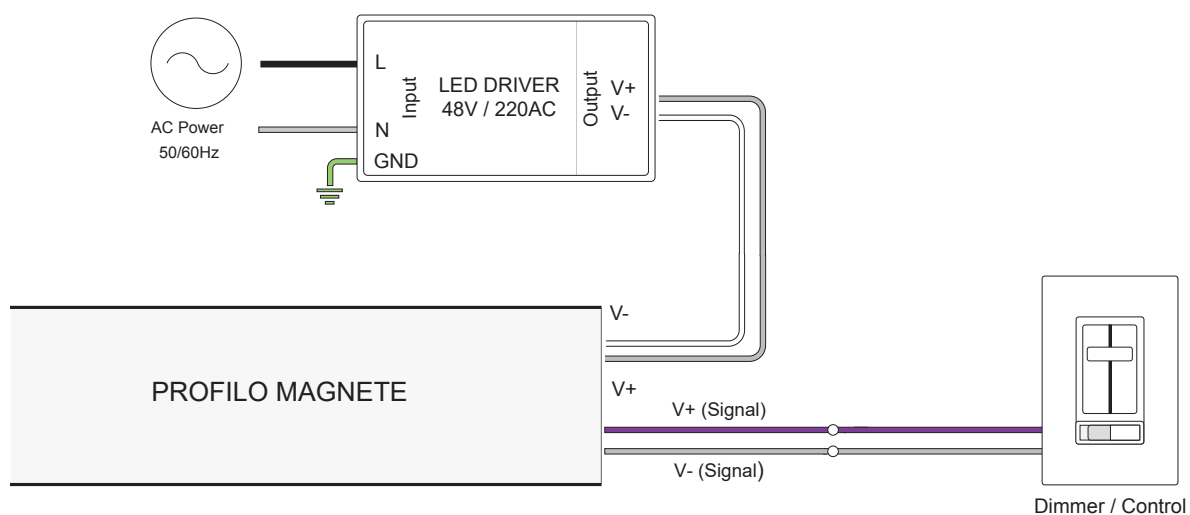
## Profilo Magnete wiring set up

\*Our profilo magnete (big and slim) works is CV 48V DC, so needs to be installed with suitable LED driver.

### ON/OFF - SWITCH SYSTEM & 2.4G - DIMMABLE SYSTEM



### DALI - DIMMABLE SYSTEM & 0/10V DIMMABLE SYSTEM



**Thanks for your purchase !**