

Objective

The ELLELUNGA has the classic design of a bollard or pole light, available with little differences in the top shape to satisfy the details lovers. The light source is an LED high efficiency system, which ensures high performances while saving energy. All the items have features like easy installation, very low maintenance needs and full safety for electrical systems and people.

Obiettivo

ELLELUNGA ha il design classico di un paletto luminoso o paletto luminoso, disponibile con piccole differenze nella forma superiore per soddisfare gli amanti dei dettagli. La sorgente luminosa è un sistema a LED ad alta efficienza, che garantisce prestazioni elevate risparmiando energia. Tutti gli articoli hanno caratteristiche come facilità di installazione, bassissime esigenze di manutenzione e piena sicurezza per impianti elettrici e persone.

Description

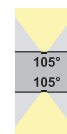
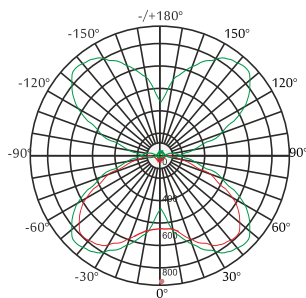
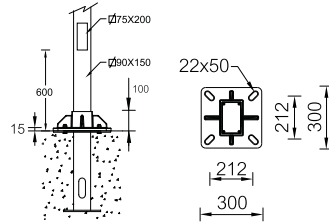
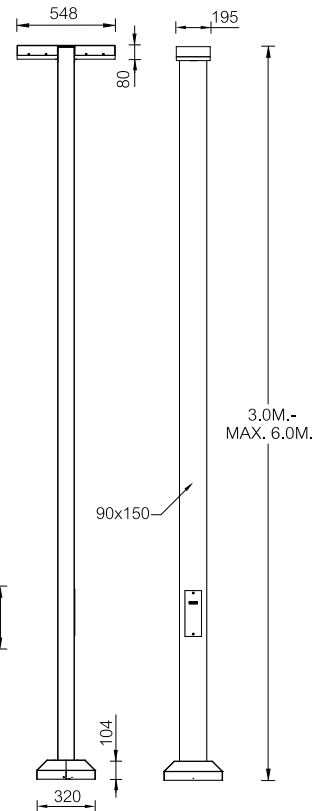
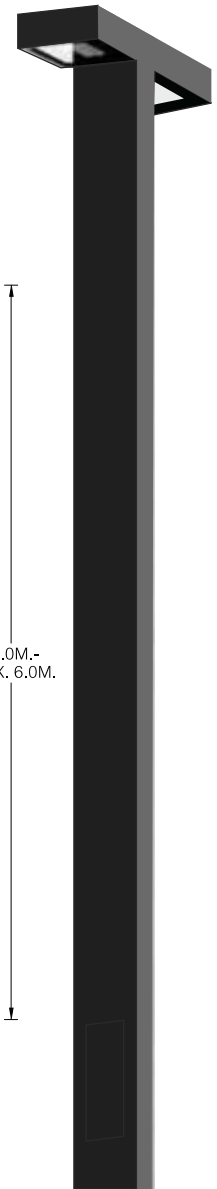
Housing - Die-cast aluminium housing and extruded aluminium profile pre-treated before powder coating ensuring high corrosion resistance stainless steel fasteners in grade 316 durable silicone rubber gasket and extruded aluminium profile with high corrosion Solvent free powder coated with choice of RAL colors.

Diffuser - Tempered clear or frosted glass.

LED - reducing energy consumption with L80/B10/F10 50,000 hrs lifetime.

Standards - manufactured in accordance with tested as per PTPS IEC 62722

CODE	WATTAGE	LUMEN	SIZE mm
13388241	2 X 41W	8200lm	195 X 548 X 3000/6000H
13388251	2 X 51W	10200lm	195 X 548 X 3000/6000H



2700K
3000K
4000K
5000K
6000K
6500K



LED	ENERGY STAR	ECO
PHASE DIMMING	DALI	1-10 DIMMING
65°C	Glowing Wire Test - 850°	
-20°C	IP 65	IK 09
	UGR <22	SDCM 2.0/3.0
CIDET	EAC	COMPLIANCE LM-79 TM-21 (lm-80)
PASEL ACCREDITATION	SMD	CRI >90
RoHS	SELV	series wiring
CE	COMPLIANCE	U
A++	220~265V 50/60Hz	

LED Drivers - PHILIPS GTI | MWM | GTCI TRIDONIC | LED Chips - BRIDGELUX | CREE | SHARP | SAMSUNG | PHILIPS | CITIZEN

In a continuing effort to offer the best product possible, we reserve the right to change, without notice, specifications or materials that in our opinion will not alter the function of the product. Specification sheets found at www.romaluce.it are the most recent versions and supercede all other printed or electronic versions.