

Objective

The light is mono or bidirectional in brivido, the wall luminaries suitable for every application thanks to its Italian design. Reliability and saving are guaranteed thanks to the high efficiency led technology. The elegant design and option of light direction make brivido very elegant light for walls lamination application. We been producing this light for many years and with more and more demand of choice comes to the designers.

Obiettivo

La luce è mono o bidirezionale in brivido, i corpi illuminanti da parete adatti ad ogni applicazione grazie al suo design italiano. Affidabilità e risparmio sono garantiti grazie alla tecnologia led ad alta efficienza. Il design elegante e l'opzione della direzione della luce rendono il brivido molto elegante per l'applicazione di laminazione di pareti. Produciamo questa luce da molti anni e con sempre maggiore richiesta di scelta arrivano i progettisti.

Description

Housing - Made of die cast aluminum powder coated with choice of RAL color

Diffuser - Transparent tempered glass diffuser specially for LED

Reflector - Polished white aluminum reflector

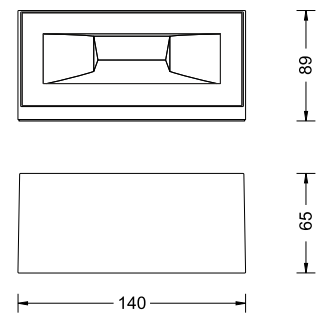
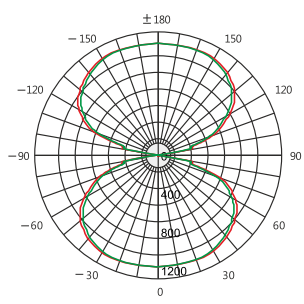
LED - reducing energy consumption with L80/B10/F10 50,000 hrs lifetime.

Standards - manufactured in accordance with tested as per PTPS IEC 62722

CODE	WATTAGE	LUMEN	SIZE mm
1615806	6W	390lm	140 X 89 X 65 H
1615811	11W	715lm	140 X 89 X 65 H
1615906	2X3W	390lm	140 X 89 X 65 H
1615912	2X6W	780lm	140 X 89 X 65 H



LED	ENERGY STAR	ECO
PHASE DIMMING	DALI	1-10 DIMMING
55°C	Glowing Wire	-25°C
IP 65	IK 08	UGR <21
CIDET	EAC	SDCM 2.0/3.0
PASEL ACCREDITATION	SMD	COMPLIANCE LM-79 TM-21 LM-80
ROHS	SELV	CRI >90
CE	COMPLIANCE	series wiring
A++	185-265V	50/60Hz



2700K	
3000K	
4000K	
5000K	
6000K	
6500K	

LED Drivers - PHILIPS GTCI LED Chips - BRIDGELUX CREE SHARP SAMSUNG PHILIPS CITIZEN

In a continuing effort to offer the best product possible, we reserve the right to change, without notice, specifications or materials that in our opinion will alter the function of the product. Specification sheets found at www.romaluce.it are the most recent versions and supercede all other printed or electronic versions.