

Objective

Cristallo's landscape lighting: LED mono/bi-directional in an in-ground Light which is highly resistant to hard weather conditions and very high humidity levels, suitable for any outdoor space. Made with a durable Die-cast aluminium that's built to last, this light is rated for long working life. The chance to use a series of this products delivers even more pleasant result while fighting the dark and maximizing the night time visibility and safety.

Obiettivo

Illuminazione paesaggistica di Cristallo: LED mono/bi -direzionale in una luce interrata che è altamente resistente alle intemperie e ai livelli di umidità molto elevati, adatta per qualsiasi spazio esterno. Realizzata con un solido alluminio pressofuso che è costruito per durare, questa lampada è classificata per una lunga vita di funzionamento. La possibilità di utilizzare una serie di questi prodotti offre risultati ancora più piacevoli, combattendo il buio e massimizzando la visibilità e la sicurezza notturna.

Description

Housing - Made of high corrosion resistant die cast aluminium body with silicon & rubber gasket, aluminium trim solvent free powder coating with RAL Color selection.

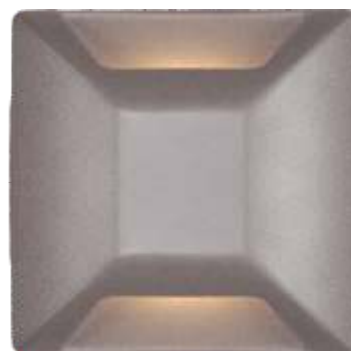
Diffuser - Tempered Glass diffuser specially for LED

LED - reducing energy consumption with L80/B10/F10 50,000 hrs lifetime.

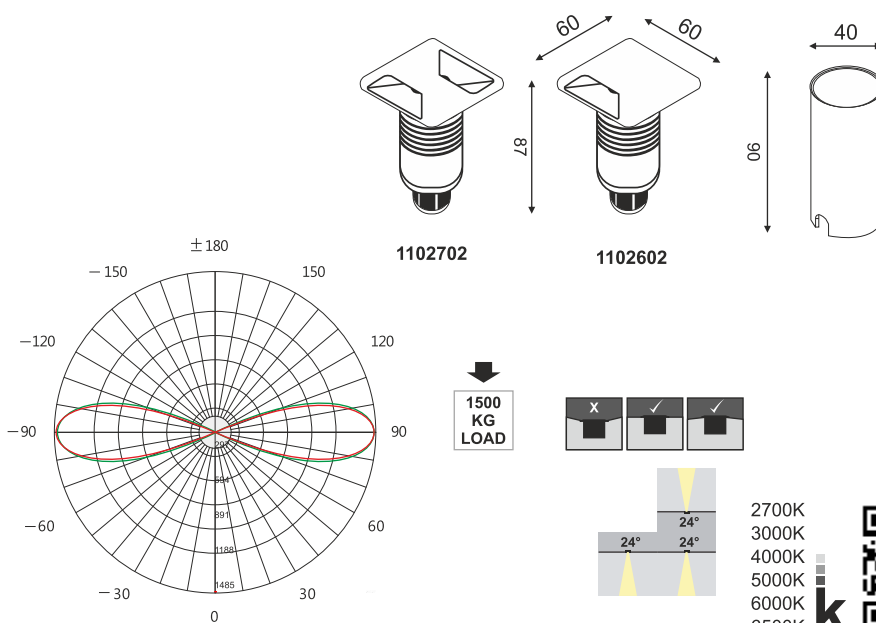
Standards - manufactured in accordance with EN 60598-1 and 60598-2-1

Accessories - Recessed PVC box.

CODE	WATTAGE	LUMEN	SIZE mm	Ø
1102602	2.5W	300lm	60 X 60 X 87H	Ø40
1102702	2.5W	300lm	60 X 60 X 87H	Ø40



LED	ENERGY STAR	ECO
PHASE DIMMING	DALI	1-10 DIMMING
65°C	Glowing Wire Test - 850°	
-20°C	IP 66	IK 07
	UGR <21	SDCM 2.0/3.0
CIDET	EAC	COMPLIANCE LM-79 TM-21 LM-80
PASEL ACCREDITATION	SMD	CRI >90
RoHS	SELV	F series wiring
CE	COMPLIANCE	U
A++		700mA CC



LED Drivers - PHILIPS GTI MEAN WELL GTCI TRIDONIC LED Chips - BRIDGELUX CREE SHARP SAMSUNG PHILIPS CITIZEN

In a continuing effort to offer the best product possible, we reserve the right to change, without notice, specifications or materials that in our opinion will not alter the function of the product. Specification sheets found at www.romaluce.it are the most recent versions and supercede all other printed or electronic versions.