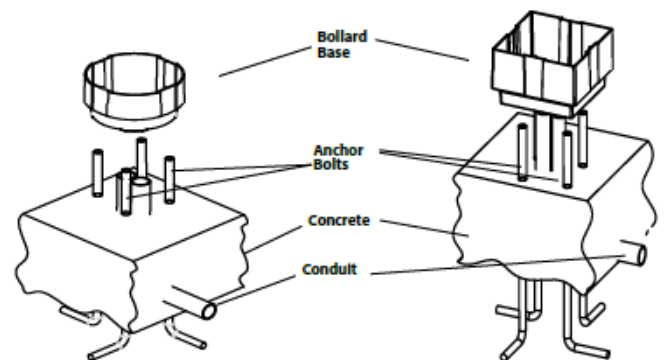
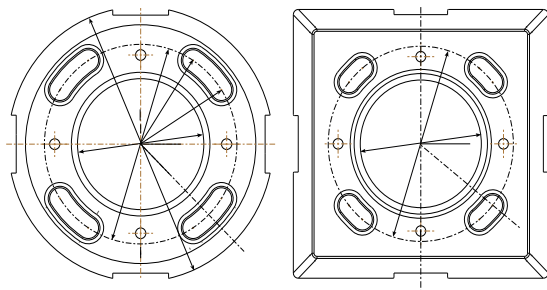




INSTALLATION MANUAL

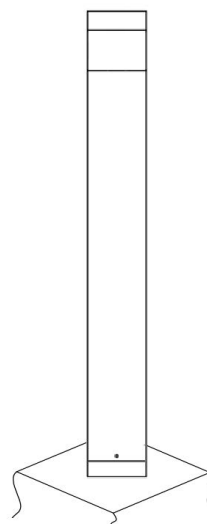
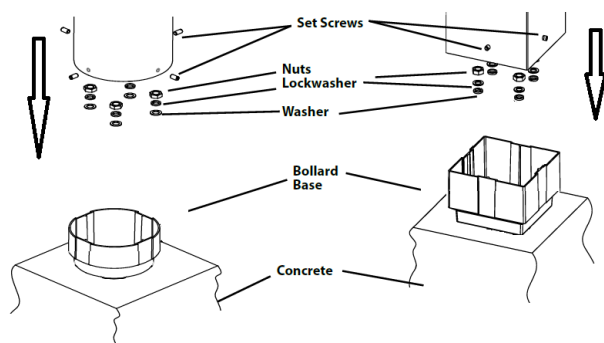
Safety tips before starting

- *Let always an expert/authorized technician make the installation.
- *Before you start please shut off the power to prevent electric shock.
- *The products with energetic class II do not require the Earth / Ground connection so please do not connect the neutral if is not required. Instead, if the item is class energetic I, please do connect the neutral to Earth.
- *Consider always to leave some space for the heat sink of the led device, it need it to cool down after use
- *Do not connect any Led device without its recommended driver
- *Your individual product may vary from the design shown in the pictures
- *Do not disassemble your product
- *If any modification is made in the item or any wrong installation cause any damage to it, the warranty will be invalidated.



1. Separate the base plate of the bollard.

2. Based on your base mounting holes, place the anchor bolts into the concrete with the righth position / distancing.



3. Set up the AC connection, Lock the screws and fix the bollard.

4. Turn on the power and turn on the light to verify the installation was successful.

Thanks for your purchase !