

Objective

Alluminato led is the splendid and conclusive result of constant advancements made in the classic ALLUMINATO collection. Perfectly arranged right down to the last detail, it sets new standards in the fields of LED lighting technology, energy efficiency and design. Fitted with highly efficient LEDs, this light fitting gives modern architecture an extraordinary sense of innovation and exclusivity. Multi application for offices and workstation areas.

Obiettivo

Alluminato LED è lo splendido conseguente risultato dei costanti progressi fatti nella classica collezione ALLUMINATO. Perfettamente rifinito sino all'ultimo dettaglio, stabilisce nuovi standard nel campo della tecnologia LED, dell'efficienza energetica e del design. Equipaggiata di LED ad alta efficienza, questa luminaria dà all'architettura moderna uno straordinario senso di innovazione ed esclusività. Multi impiego per uffici e postazioni lavorative.

Description

Housing - High pure Extruded aluminum, anodized finish or powder coated RAL colors.

Diffuser - Opal PMMA diffuser specially for LED, V2 ultra UV or optical lens.

Reflector - Optional VDU aluminum louver.

LED - reducing energy consumption with L80/B10/F10 50,000 hrs lifetime.

Standards - manufactured in accordance with tested as per PTPS IEC 62722

Maximum length size is 3000mm

Mounting Methods - Suspension, ceiling mounted, available for shadow free continuous lighting system.

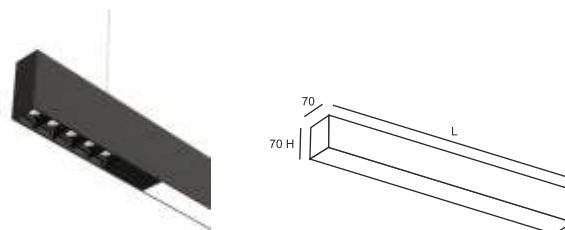
Accessories - Suspension wire kit.

System combination is to be customized between VDU louver, void and opal PMMA diffuser to create the linear system which requires different illumination.

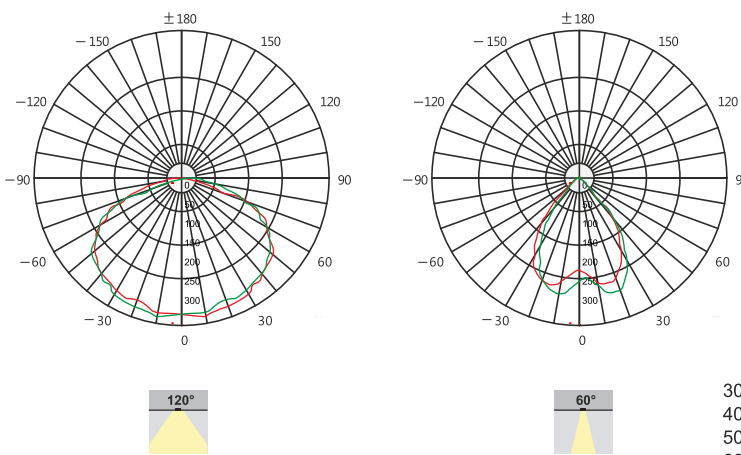


CODE	WATTAGE	LUMEN	SIZE mm
9520632	32W	3840lm	1000 X 70 X 70 H
9520642	42W	5040lm	1200 X 70 X 70 H
9520652	52W	6240lm	1500 X 70 X 70 H

System combination



LED	ENERGY STAR	ECO	DIFFERENT LENGTH
PHASE DIMMING	DALI	1-10 DIMMING	
55°C	Glowing Wire Test - 850°		
-25°C	IP 44	IK 07	UGR <19
			SDCM 2.0/3.0
CIDET	EAC	COMPLIANCE LM-79 TM-21 LM-80	
PASEL ACCREDITATION	SMD COB	CRI >90	
ROHS	SELV	F	series wiring
CE	COMPLIANCE	U	
A++	220~240V 50/60Hz		



3000K
4000K
5000K
6000K



LED Drivers - PHILIPS GTCI TRIDONIC LED Chips - BRIDGELUX CREE SHARP SAMSUNG PHILIPS CITIZEN

In a continuing effort to offer the best product possible, we reserve the right to change, without notice, specifications or materials that in our opinion will not alter the function of the product. Specification sheets found at www.romaluce.it are the most recent versions and supercede all other printed or electronic versions.